

## DH-HAC-HFW22A1RN-Z

---

### 2.1Megapixel 1080P Water-proof WDR HDCVI IR-Bullet Camera



#### Features

- 1/2.7" 2.1Megapixel CMOS
- 30fps@1080P, 30/60fps@720P
- High speed, long distance real-time transmission
- HD and SD dual-output
- OSD Menu, control over coaxial cable
- WDR(120dB), Day/Night(ICR), AWB, AGC, BLC, 3DNR
- 2.7~12mm motorized lens
- Max. IR LEDs length 60m, Smart IR
- IP67, DC12V

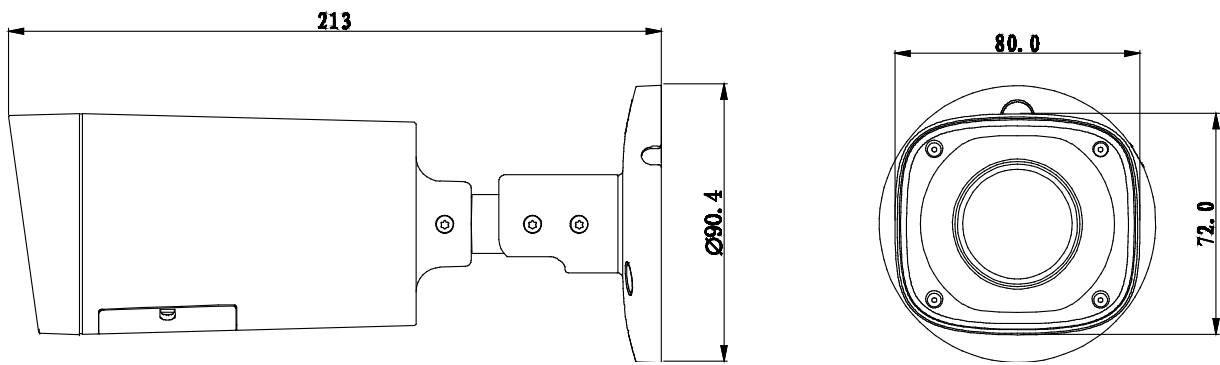
# DH-HAC-HFW22A1RN-Z

## Technical Specifications

<b>Model</b>	<b>DH-HAC-HFW22A1RN-Z</b>
<b>Camera</b>	
Image Sensor	1/2.7" 2.1Megapixel CMOS
Effective Pixels	1928(H)×1088(V)
Electronic Shutter	1/3s~1/300,000s
Video Frame Rate	30fps@1080P ;30/60fps@720P
Synchronization	Internal
Mini. Illumination	0.03Lux/F1.4, 0Lux IR on
Video Output	1-channel BNC HDCVI high definition video output & CVBS standard definition video output
<b>Camera Features</b>	
Max. IR LEDs Length	60m, Smart IR
Day/Night	Auto(ICR) / Color / B/W
Backlight Compensation	120dB True WDR
Noise Reduction	2D/3D
OSD Menu	Multi-language
<b>Lens</b>	
Focal Length	2.7~12mm
Angle of View	H: 99°~37°
Lens Type	Motorized / Fixed Iris
Mount Type	Φ14
<b>General</b>	
Power Supply	DC12V±25%
Power Consumption	Max 8.2W
Working Environment	-30°C~+60°C / Less than 95%RH (no condensation)
Transmission Distance	Over 500m via 75-3 coaxial cable
Ingress Protection	IP67
Dimensions(W×D×H)	213mm×80mm×72mm
Weight	0.55kg
Material	Metal

# DH-HAC-HFW22A1RN-Z

## Dimensions (mm)



## Accessories (optional)

