

DH-HAC-HDBW12A0EN

2Megapixel 1080P Vandal-proof IR HDCVI Mini Dome Camera



Features

- 1/2.7" 2Megapixel CMOS
- 30fps@1080P
- High speed, long distance real-time transmission
- Day/Night(ICR), AWB, AGC, BLC, 2DNR
- 3.6mm fixed lens (6mm, 8mm optional)
- Max. IR LEDs length 30m, Smart IR
- IP67, IK10, DC12V

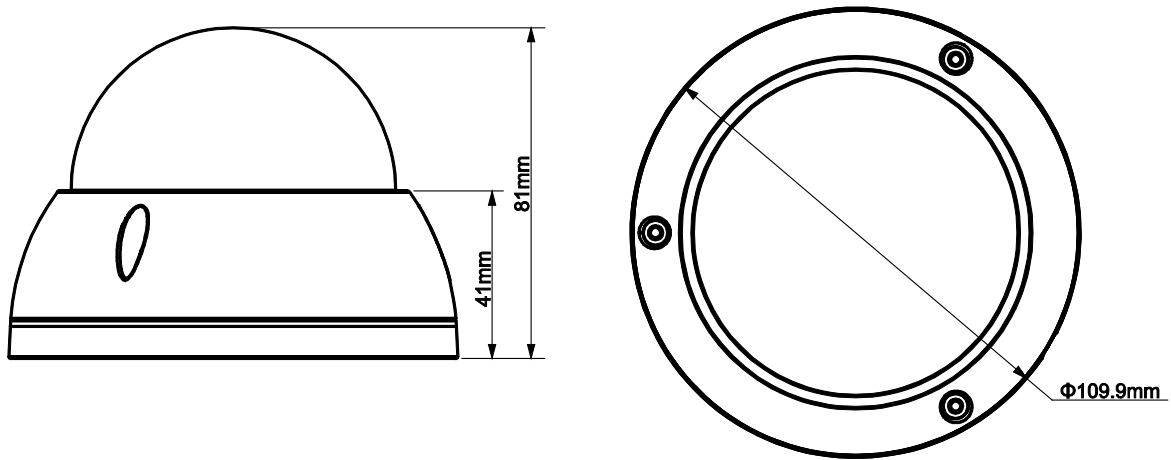
DH-HAC-HDBW12A0EN

Technical Specifications

Model	DH-HAC-HDBW12A0EN
Camera	
Image Sensor	1/2.7" 2Megapixel CMOS
Effective Pixels	1930(H)×1088(V)
Electronic Shutter	1/60s~1/100,000s
Video Frame Rate	30fps@1080P
Synchronization	Internal
Mini. Illumination	0.02Lux/F2.0(AGC ON), 0Lux IR on
Video Output	1-channel BNC HDCVI high definition video output
Camera Features	
Max. IR LEDs Length	30m, Smart IR
Day/Night	Auto(ICR) / Color / B/W
Noise Reduction	2D
Lens	
Focal Length	2.8mm (3.6mm 6mm optional)
Angle of View	H: 89.9° (59.4° /41.4°)
Mount Type	M12
General	
Power Supply	DC12V±20%
Power Consumption	Max 3.5W
Working Environment	-30°C~+60°C / Less than 95%RH (no condensation)
Transmission Distance	Over 500m via 75-3 coaxial cable
Ingress Protection	IP67 & IK10
Dimensions(W×D×H)	Φ109.9mm×81.0mm
Weight	0.3kg
Material	Metal

DH-HAC-HDBW12A0EN

Dimensions (mm)



Accessories (optional)

		
PFB200W	PFA136	PFA152