

## DH-HAC-HFW12A0SN

2Megapixel 1080P Water-proof HDCVI IR-Bullet Camera



### Features

- 1/2.7" 2Megapixel CMOS
- 30fps@1080P
- High speed, long distance real-time transmission
- Day/Night(ICR),AWB, AGC, BLC, 2DNR
- 3.6mm fixed lens (6mm, 8mm optional)
- Max. IR LEDs length 30m, Smart IR
- IP67,DC12V

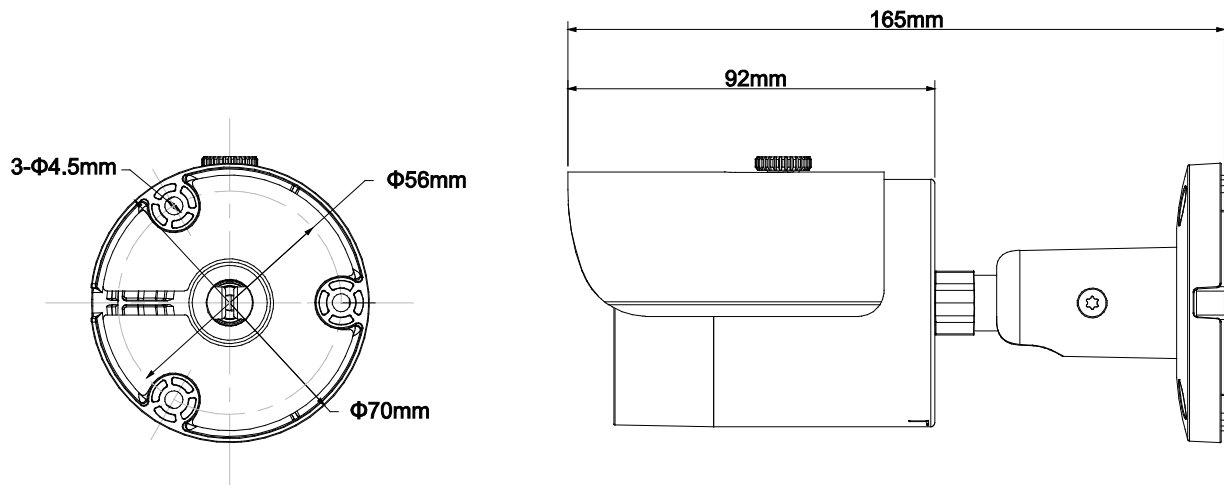
## DH-HAC-HFW12A0SN

### Technical Specifications




<b>Model</b>	<b>DH-HAC-HFW12A0SN</b>
<b>Camera</b>	
Image Sensor	1/2.7" 2Megapixel CMOS
Effective Pixels	1930(H)×1088(V)
Electronic Shutter	1/60s~1/100,000s
Video Frame Rate	30fps@1080P
Synchronization	Internal
Min. Illumination	0.02Lux/F2.0, 0Lux IR on
Video Output	1-channel BNC HDCVI high definition video output
<b>Camera Features</b>	
Max. IR LEDs Length	30m, Smart IR
Day/Night	Auto(ICR)/Color/B/W
Noise Reduction	2D
<b>Lens</b>	
Focal length	3.6mm (6mm, 8mm optional)
Angle of View	H:89.9° (59.4° /41.4°)
Mount Type	M12
<b>General</b>	
Power Supply	DC12V±20%
Power Consumption	Max 3.6W
Working Environment	-30°C~+60°C/ Less than 95%RH (no condensation)
Transmission Distance	Over 500m via 75-3 coaxial cable
Ingress Protection	IP67
Dimensions(W×D×H)	Φ70mm×165mm
Weight	0.35kg
Material	Metal(body) + Plastic (sunshield)

# DH-HAC-HFW12A0SN

## Dimensions (mm)



## Accessories (optional)

		
PFA130	PFA122	PFA152