

IR HDCVI Fixed Eyeball

2.1MP HDCVI Camera



HDCVI

- 120dB True WDR, 3DNR
- Max 30fps@1080p
- Long Distance Real-time Transmission
- HD and SD Dual-output
- Fixed Lens Options 2.8mm, 3.6mm, 6mm
- Max. IR LEDs Length 50m, Smart IR
- IP67, DC12V



System Overview

Experience full HD 1080p video with the simplicity of using existing coaxial infrastructure. The HDCVI Dome camera offers a discreet, compact design with integrated Smart IR illumination for distances up to 50m (165ft). Delivering full HD 1080p over a single coaxial cable provides the best of both worlds for users who want to maintain their existing analog infrastructure but want high definition images at a more affordable price. The sleek design makes the HDCVI Dome camera ideal for small to mid-size businesses where aesthetics are important.

Functions

Smart IR

With IR illumination, detailed images can be captured in low light or total darkness. The camera's Smart IR technology adjusts to the intensity of camera's infrared LEDs to compensate for the distance of an object. Smart IR technology prevents IR LEDs from whiting out images as they come closer to the camera. The camera's integrated infrared illumination provides high performance in extreme low-light environments up to 50m (165ft).

Long Distance Transmission

The HDCVI Dome camera combines high definition resolution with the simplicity of coaxial infrastructure for an easy upgrade. HDCVI technology guarantees long-distance and real-time transmission without any loss of signal. It supports 1200m and 800m signal transmission for 720p and 1080p respectively via RG6 coaxial cable, and 800m and 500m for 720p and 1080p respectively via RG59 coaxial cable. With a CAT6 UTP cable, the transmission distance reaches up to 450m and 300m for 720p and 1080p respectively*.

*Actual results verified by real-scene testing in Dahua's test laboratory.

Simplicity

HDCVI blends high quality images, affordability, and ease of use by utilizing traditional analog technology. Dahua HDCVI cameras are designed to make installation easy for a seamless upgrade from traditional analog without replacing existing coaxial cabling. The plug and play approach enables full HD video surveillance without the hassle of configuring a network.

3DNR

3DNR technology detects and eliminates random noises by comparing the difference between frame and frame, making the image more quiet, clear and exquisite. Different from 2DNR, 3DNR hardly impacts sharpness and clarity while remarkably reducing the noise, especially under limited lighting condition.

3 Signals Over 1 Coaxial Cable

Dahua's patented HDCVI technology bridges the gap between low resolution analog and high definition IP for users who require higher quality video without upgrading to IP. HDCVI technology supports 3 signals (audio, video and data) to be transmitted simultaneously over 1 coaxial cable. The camera offers 1080p/720p high resolution video and communicates with HCVR through control signals.

Protection

Supporting $\pm 25\%$ input voltage tolerance, this camera suits even the most unstable conditions for outdoor applications. Its 4KV lightning rating provides protection against the camera and its structure from the effects of lightning.

Technical Specification

Camera

| | |
|--------------------------|---------------------------------|
| Image Sensor | 1/2.7" CMOS |
| Effective Pixels | 1928(H) × 1088(V), 2.1MP |
| Scanning System | Progressive |
| Electronic Shutter Speed | 1/3s~1/300,000s |
| Minimum Illumination | 0.03Lux/F2.0, 0Lux IR on |
| S/N Ratio | More than 65dB |
| IR Distance | IR Distance Up to 50m (165feet) |
| IR On/Off Control | Auto |
| IR LEDs | 1 |

Lens

| | |
|----------------------|---|
| Lens Type | Fixed lens / Fixed iris |
| Mount Type | Board-in |
| Focal Length | 2.8mm / 3.6mm / 6mm Options |
| Max Aperture | F2.2 / F2.1 / F2.0 |
| Angle of View | H: 115.6° / 90° / 59.4° |
| Close Focus Distance | 60mm / 100mm / 230mm 2.36" / 3.94" / 9.06" |

Pan / Tilt / Rotation

| | |
|-------------------|---|
| Pan/Tilt/Rotation | Pan: 0° ~ 360° Tilt: 0° ~ 70° Rotation: 0° ~ 360° |
|-------------------|---|

Video

| | |
|-----------------|--|
| Resolution | 1080p (1920 × 1080) |
| Frame Rate | 30fps@1080p |
| Video Output | 1-channel BNC HDCVI high definition video output & 1-channel BNC CVBS standard definition video output |
| Day/Night | Auto (ICR) |
| BLC Mode | BLC |
| White Balance | AWB |
| Gain Control | AGC |
| Noise Reduction | 2D/3D |
| WDR | 120dB |
| Smart IR | Auto |

Certifications

| | |
|----------------|---------|
| Certifications | FCC, UL |
|----------------|---------|

Electrical

| | |
|-------------------|--------------------------|
| Power Supply | 12V DC ±25% |
| Power Consumption | Max 5.5W (12V DC, IR on) |

Environmental

| | |
|----------------------|---|
| Operating Conditions | -30°C ~ +60°C (-22°F ~ +140°F) / Less than 90% RH * Start up should be done at above -30°C (-22°F) |
| Storage Conditions | -30°C ~ +60°C (-22°F ~ +140°F) / Less than 90% RH |
| Ingress Protection | IP67 |

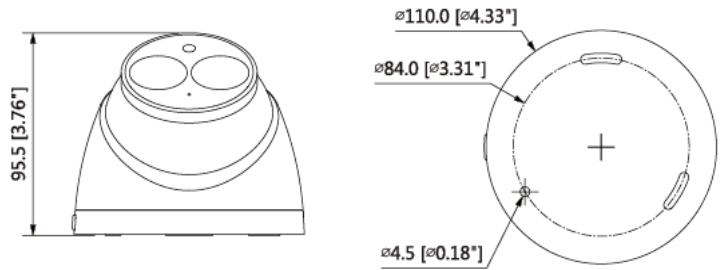
Construction

| | |
|--------------|-------------------------------------|
| Casing | Aluminium (inner core) + PC (cover) |
| Dimensions | Φ110.0mm × 95.5mm (Φ4.33" × 3.76") |
| Net Weight | 0.3kg (0.67lb) |
| Gross Weight | 0.46kg (1.01lb) |

Ordering Information

| Type | Part Number | Description |
|--------------|------------------------|---|
| 2.1MP Camera | DH-HAC-HDW22A1EN 2.8mm | 2.1MP, IP67, HDCVI True WDR IR 50m Eyeball Camera, NTSC, 2.8mm Lens |
| | DH-HAC-HDW22A1EN 3.6mm | 2.1MP, IP67, HDCVI True WDR IR 50m Eyeball Camera, NTSC 3.6mm Lens |
| | DH-HAC-HDW22A1EN 6mm | 2.1MP, IP67, HDCVI True WDR IR 50m Eyeball Camera, NTSC 6mm Lens |
| Accessories | PFA136 | Junction Box (For use alone) |
| | PFBW203W | Wall Mount (For use only or use with PFA152 pole mount) |
| | PFA152 | Pole Mount (For use with PFB203W wall mount) |

Dimensions (mm/inch)



Accessories

Optional:



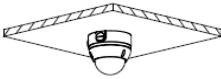

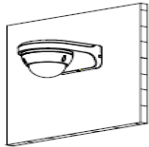
PFA136
Junction box



PFB203W
Wall mount



PFA152
Pole mount

| Junction Mount | Pole Mount |
|---|---|
| PFA136 | PFB203W+PFA152 |
|  |  |
| Wall Mount | |
| PFB203W | |
|  | |