

IR Megapixel Wi-Fi Fixed Mini-Bullet

3 MP Indoor/Outdoor Network Camera



- Wi-Fi Support (IEEE802.11b/g/n)
- Max. 20 fps @ 3 MP and 30 fps @ 1080p
- Digital WDR
- True Day/Night
- 2.8 mm or 3.6 mm Fixed Lens Options
- Smart IR 30 m (98 ft)
- Outdoor Rated IP67



System Overview

The IR WiFi Fixed Mini-Bullet camera delivers 3 MP resolution with a choice of 2.8 mm or 3.6 mm lens options. The camera's elegant blend of aesthetics combined with its compact form factor provides an excellent choice for a variety of small to mid-size, indoor/outdoor applications at an affordable price.

Functions

True Day/Night

A day/night mechanical IR cut filter makes this camera ideal for applications with fluctuating lighting conditions, delivering color images during the day and automatically switching to monochrome as the scene darkens.

Regions of Interest

Regions of Interest (ROI) is a user defined feature that allows the operator to monitor specific areas of a scene while still maintaining overall situational awareness of less important areas.

Smart IR

With IR illumination, detailed images can be captured in low light or total darkness. The camera's Smart IR technology adjusts to the intensity of camera's infrared LEDs to compensate for the distance of an object. Smart IR technology prevents IR LEDs from whiting out images as they come closer to the camera. The camera's integrated infrared illumination provides high performance in extreme low-light environments up to 30 m (98 ft).

Image Flip

Capturing unnecessary data such as surrounding hallway walls can increase storage requirements without any added value. The image flip feature allows the camera's image to be rotated in 90° increments for better video optimization.

Protection

The camera's outstanding reliability is unsurpassed due to its rugged design. The camera is protected against water and dust to IP67 standards, making it suitable for indoor or outdoor environments.

Supporting $\pm 25\%$ input voltage tolerance, this camera suits even the most unstable conditions for outdoor applications. Its 8KV lightning rating provides protection against the camera and its structure from the effects of lightning.

Streaming

With a choice of unicast or multicast streaming, bandwidth-efficient viewing, recording and third-party video management can easily be achieved. Dual streaming enables bandwidth-efficient viewing and recording. Depending on the resolution and frame rate selected on the first stream, the second stream provides a copy at a lower resolution.

Interoperability

The camera conforms to the Open Network Video Interface Forum (ONVIF) specifications, ensuring interoperability between network video products regardless of manufacturer.

Technical Specification

Camera

Image Sensor	1/3-in. CMOS
Effective Pixels	2304 (H) x 1536 (V)
ROM / RAM	16 MB / 256 MB
Scanning System	Progressive
Electronic Shutter Speed	1/3(4) s to 1/100,000 s
Minimum Illumination	Color: 0.1 Lux @ F2.0 B/W: 0.01 Lux @ F2.0 0 Lux (IR On)
S/N Ratio	More than 50 dB
IR Distance	Distance Up to 30.0 m (98.42 ft)
IR On/Off Control	Auto / Manual
IR LEDs	24

Lens

Lens Type	Fixed
Mount Type	Board-in
Focal Length	2.8 mm or 3.6 mm
Max Aperture	F2.0
Angle of View	H: 100° / 77°
Focus Control	Manual

Video

Compression	H.264 / MJPEG
Streaming Capability	Two (2) Streams
Resolution	3 MP (2304 x 1296) 1080p (1920 x 1080) 720p (1280 x 720) VGA (640 x 480) QVGA (320 x 240)
Frame Rate	Main Stream 3 MP (1 to 20 fps) / 1080p (1 to 30 fps) Sub Stream 1 VGA/QVGA (1 to 30 fps)
Bit Rate Control	CBR / VBR
Bit Rate	H.264: 32 K to 8192 Kbps
Day/Night	Auto (ICR) / Color / B/W
BLC Mode	BLC / HLC / DWDR
White Balance	Auto / Sunny / Night / Outdoor / Customized
Gain Control	Auto / Manual
Noise Reduction	3D DNR
Motion Detection	Off / On (4 Zone, Rectangle)
Region of Interest	Off / On (4 Zone)
Smart IR	Support
Digital Zoom	16x
Flip	0°/90°/180°/270°
Mirror	Off / On
Privacy Masking	Off / On (4 Area, Rectangle)

Network

Ethernet	RJ-45 (10/100 Base-T)
Wi-Fi	Wi-Fi (IEEE802.11b/g/n) 50.0 m (164.04 ft) open field
Protocol	IPv4/ IPv6, HTTP, HTTPS, SSL, TCP/IP, UDP, UPnP, ICMP, IGMP, SNMP, RTSP, RTP, SMTP, NTP, DHCP, DNS, PPPOE, DDNS, FTP, IP Filter, QoS, Bonjour, 802.1x
Interoperability	ONVIF, CGI
Streaming Method	Unicast / Multicast
Max. User Access	20
Edge Storage	NAS (Network Attached Storage), Local PC for instant recording, 128 GB
Web Viewer	IE10
Management Software	Smart PSS, DSS
Mobil Operating System	Android, IOS

Certifications

Certifications	FCC (SEFD1509217-B) UL (E234884-A113-UL)
----------------	---

Electrical

Power Supply	12V DC ±25%
Power Consumption	Max. 5.5 W (12V DC, IR On)

Environmental

Operating Conditions	-30°C to +60°C (-22°F to +140°F), Less than 90% RH
Storage Conditions	-30°C to +60°C (-22°F to +140°F), Less than 90% RH
Ingress Protection	IP67

Construction

Casing	Metal
Dimensions	Φ 70.0 mm × 164.70 mm (2.76 in. x 6.48 in.)
Net Weight	0.40 kg (0.88 lb)
Gross Weight	0.49 kg (1.08 lb)

Accessories

Optional:



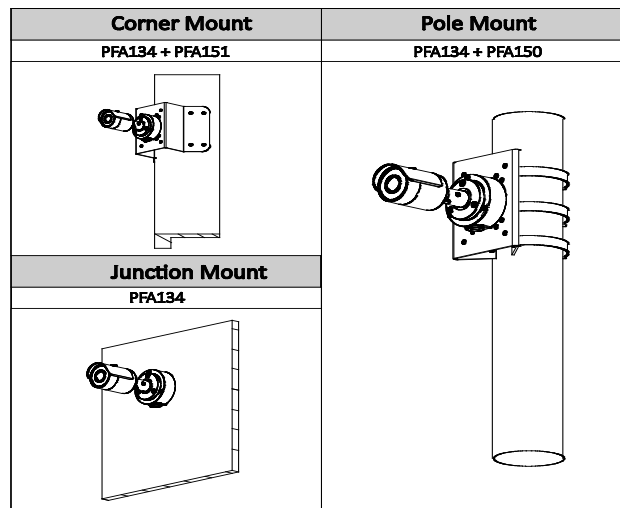
PFA134
Junction Box



PFA150
Pole Mount



PFA151
Corner Mount



Ordering Information

Type	Part Number	Description
3 MP Camera	DH-IPC-HFW13A0SN-W	3MP, 2.8mm, Manual Lens, True D/N, DWDR, IP67, IR: up to 30m (98ft), DC12V, Wi-Fi, PoE
	DH-IPC-HFW13A0SN -W	3MP, 3.6mm, Manual Lens, True D/N, DWDR, IP67, IR: up to 30m (98ft), DC12V, Wi-Fi, PoE
Accessories	PFA134	Junction Box
	PFA150	Pole Mount Bracket
	PFA151	Corner Mount
	PFA152	Pole Mount Bracket

Dimensions (mm/inch)

