

# IP Residential Apartment Outdoor Station



- 1.3 MP Wide Angle Camera with Night Vision
- Built-in Microphone with Two-way Talk
- Records Call Sessions from the Indoor Monitor
- Performs Door Unlock by Card or Remotely Using SmartPSS
- Supports Secure Password Entry
- Stainless Steel Panel can be Surface- or Flush-mounted
- IP54 Ingress Protection and IK07 Vandal Resistance



## System Overview

The DHI-VTO1210C-X Outdoor Station enables tenants to view and talk with visitors and remotely unlock doors from an in-unit color indoor monitor. Each outdoor station includes a built-in 13.56 MHz MIFARE® card access reader to allow tenants to securely gain access through exterior doors. The outdoor station is designed for multi-tenant apartment applications up to 200 units.

## Technical Specification

### System

Main Processor	Embedded Micro Processor
Operating System	Embedded Linux

### Video

Image Sensor	1/3-in. 1.3 MP CMOS Sensor
Lens	3.6 mm
Angle of View	Horizontal: 75° Vertical: 95°
Day/Night	Color Image

### Audio

Input	Omnidirectional Microphone
Output	Built-in Speaker
Bi-directional Talk	Support for Dual-way Bi-directional Talk

### Display

LCD Dimensions	3-in. STN Screen
Resolution	128 x 64

### Operation

Input	Mechanical Buttons
Reader	MIFARE® Card
Detection Distance	1 m (3.28 ft)

## Interface

Door Control	One (1)
Alarm	Two (2) Channels: • One (1) Channel, Unlock Button • One (1) Channel, Feedback
RS485	One (1) Port

## Network

Ethernet	10/100 Mbps
Network Protocol	TCP/IP
Video Compression	H.264
Audio Compression	G.711

## Certifications

Safety	Power Supply: UL Certified
Electromagnetic Compatibility (EMC)	FCC CFR 47 Part 15 subpart B ANSI C63.4 - 2009 EN 55022:2010, EN 55024:2010, EN 50130-4:2011, EN 61000-6-3:2007, EN 61000-3-2:2006+A1:2009 EN 61000-3-3:2008, IEC 61000-4-2:2008, IEC 61000-4-3:2010, IEC 61000-4-4:2012, IEC 61000-4-5:2005, IEC 61000-4-6:2008, IEC 61000-4-8:2009, IEC 61000-4-11:2004

## Electrical

Power	12 VDC Requires a separate 12 VDC power supply.
Power Consumption	Standby: ≤ 1 W Operation: ≤ 10 W

Environmental

Operating Temperature	-40° C to +60° C (-40° F to +140° F)
Operating Humidity	10% to 95%, Relative
Ingress Protection	IP54
Vandal Resistance	IK07

Construction

Material	Stainless Steel
Dimensions	406.0 mm x 143.0 mm x 42.0 mm (16.0 in. x 5.63 in. x 1.65 in.)
Net Weight	1.60 kg (3.53 lb)
Installation	Surface- or Flush-mount

Ordering Information

Type	Part Number	Description
Intercom	DHI-VTO1210C-X	Residential Apartment Outdoor Station
Accessories, optional	IC-S50	MIFARE® S50, 13.56 MHz IC Card
	IC-SM	MIFARE® S50, 13.56 MHz IC Key Fob
	DHI-VTH1550CH	Color Indoor Monitor, 7-in. Display
	DHI-VTH1660CH	Color Indoor Monitor, 10.2-in. Display
	DHI-VTNS1060A	Network Power Supply
	ADS-110DL-19-1 240072E	24 VDC, 3 A Power Adapter for use with DHI-VTNS1060A
	ADS-12AM-12 12012EPCU	12 VDC, 1 A Power Adapter for use with DHI-VTO1210C-X
	VTOB103	Flush-mount Box, plastic
Recommended NVRs	VTOB110	Surface-mount Box, metal
	N52B2P	4K 1U 8CH NVR
	DHI-NVR6A08-32-4KS2	4K 1U 32CH NVR

Accessories



IC-S50  
MIFARE® Cards



IC-SM  
MIFARE® Key Fob



DHI-VTH1550CH  
7-in. Color Indoor Monitor



DHI-VTH1660CH  
10.2-in. Color Indoor Monitor



DHI-VTNS1060A  
Network Power Supply



ADS-110DL-19-1 240072E  
24 VDC, 3 A Power Adapter  
for use with DHI-VTNS1060A



ADS-12AM-12 12012EPCU  
12 VDC, 1 A Power Adapter  
for use with DHI-VTO1210B-X

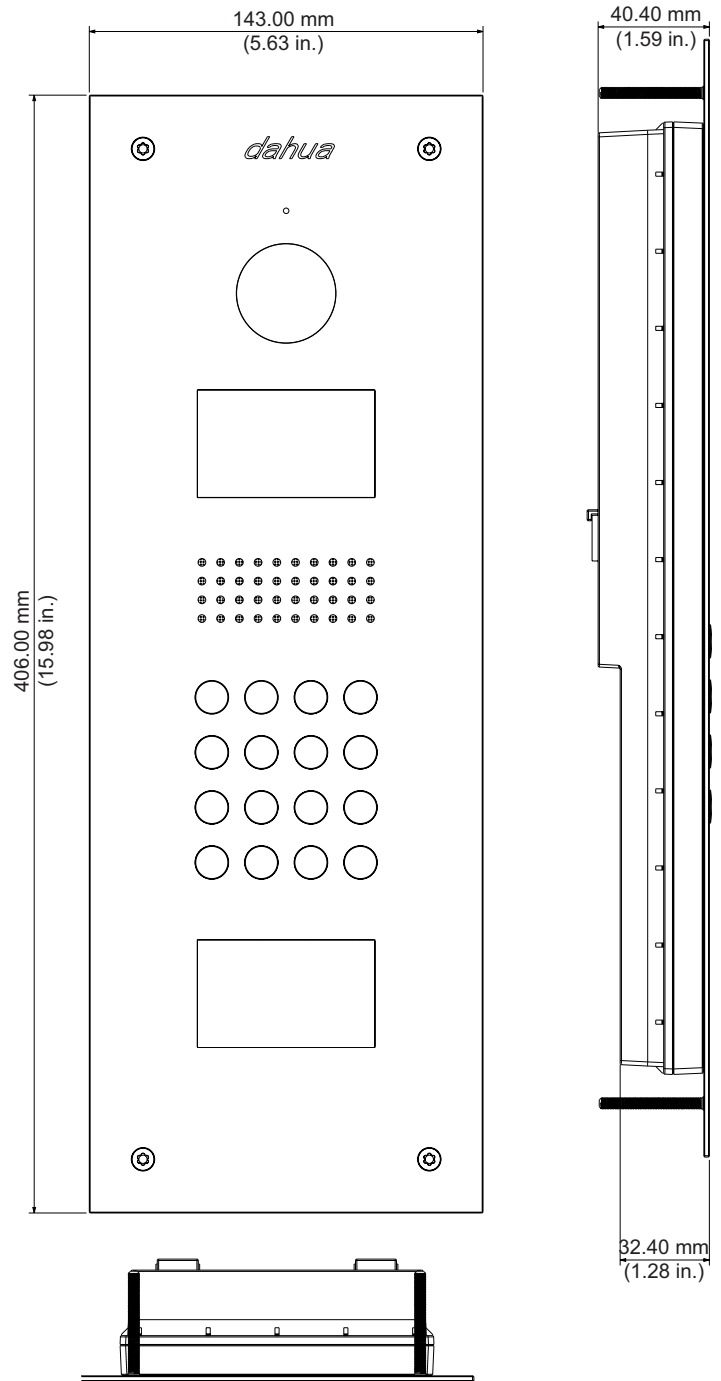


VTOB103  
Flush-mount Box

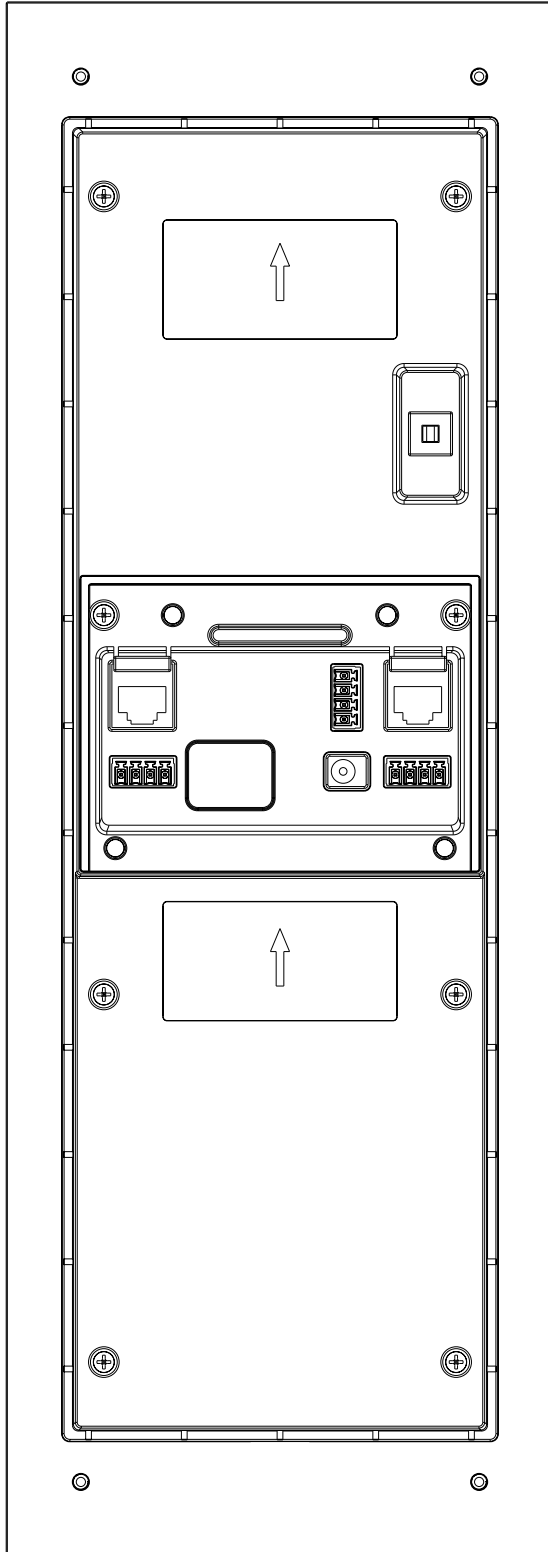


VTOB110  
Surface-mount Box

Dimensions (mm/in.)



Rear Panel



View Area

