

# Reset Instruction of Network Camera

This document includes the information of the reset operation and the position of reset button of the network cameras.

## 1. THE OPERATION OF RESET

1.1 The camera should connect power, click the reset button for at least **5 seconds** until the camera restart, and then the camera will restore factory default setup.

- If there is a PWR indicator, you can check the indicator go off and on again.
- If it is a IR camera, you can check the IR LED turn on again.
- For others situation, keep the operation long enough to make sure the camera restart.

1.2 Most of the reset is a button, but some of them are just terminals or cables that you need to do a shortage to finish this operation. You will see some samples below.

## 2. THE POSITION OF THE RESET

Mainly it depends on the type of the camera, when you see the appearance you can make a judge accordingly. The types of the IP camera are listed below:

### 2.1 Indoor Fixed Network Camera

**Appearance:**



These kinds of IP cameras, the reset button is always on the back panel of the camera, with a mark "RESET"

**Models:**

IPC-HF3500 series

IPC-HF3300 series

IPC-HF3301 series

IPC-HF3200 series

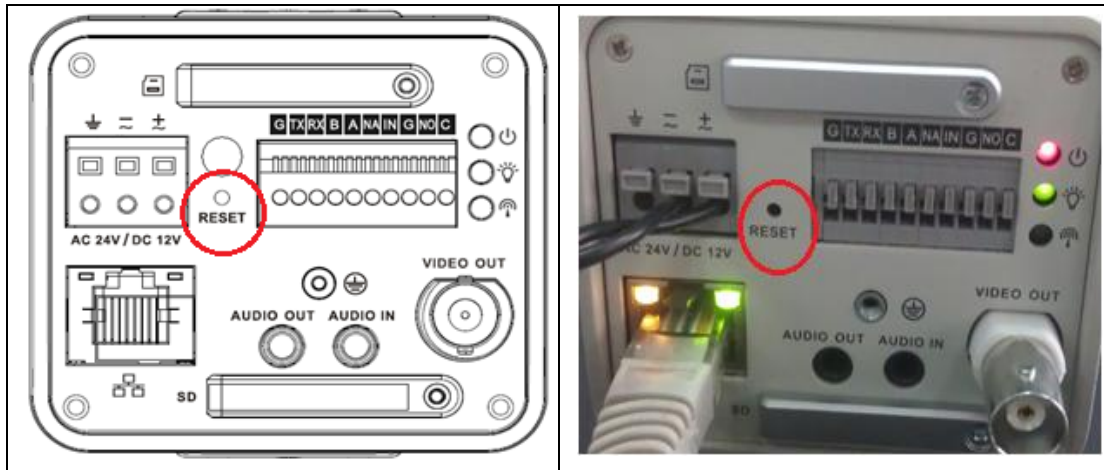
IPC-HF3211 series

IPC-HF3100 series

IPC-HF3110 series

IPC-HF3101 series

The pictures below are the sample of back panel. (The appearance may not exactly the same)



## 2.2 IR waterproof fixed network camera.

Some of these cameras (earlier models) were combined with Multiple-function combination Cable that you need to do a shortage to reset.

**Appearance:**

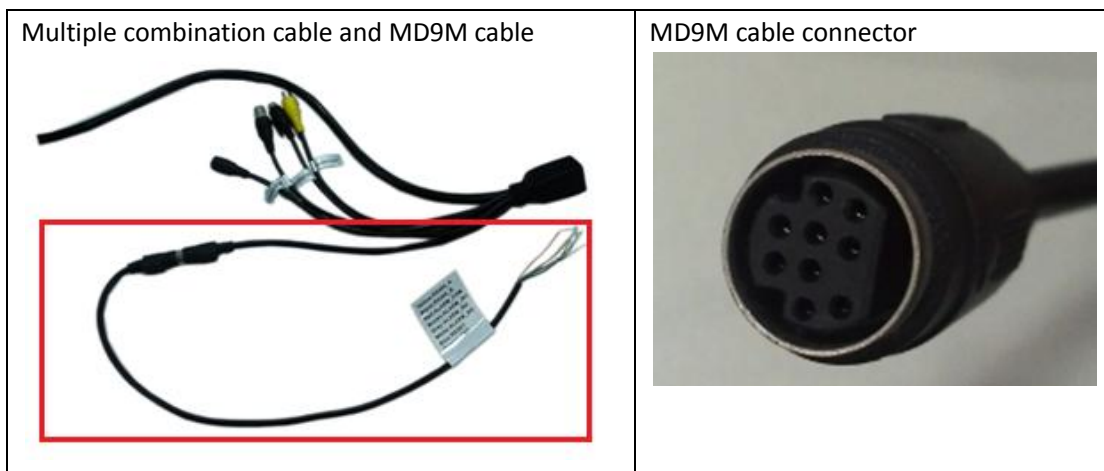


**Models:**

HFW3300 series

HFW3110 series

The picture below is the cable coming out of the camera; you need an extension cable to do the reset. Shortage the **Blue** wire (RESET) and the **Orange** wire (GND) for at least 5 seconds until the camera restart.



## 2.3 IR Waterproof Fixed Network Camera (With Integrated Bracket)

**Appearance:**



A. Most of this kind of camera, there will be a multiple-function combination cable coming out of the bottom of the bracket. You can find one that is the reset cable.

**Models:**

IPC-HFW3300C

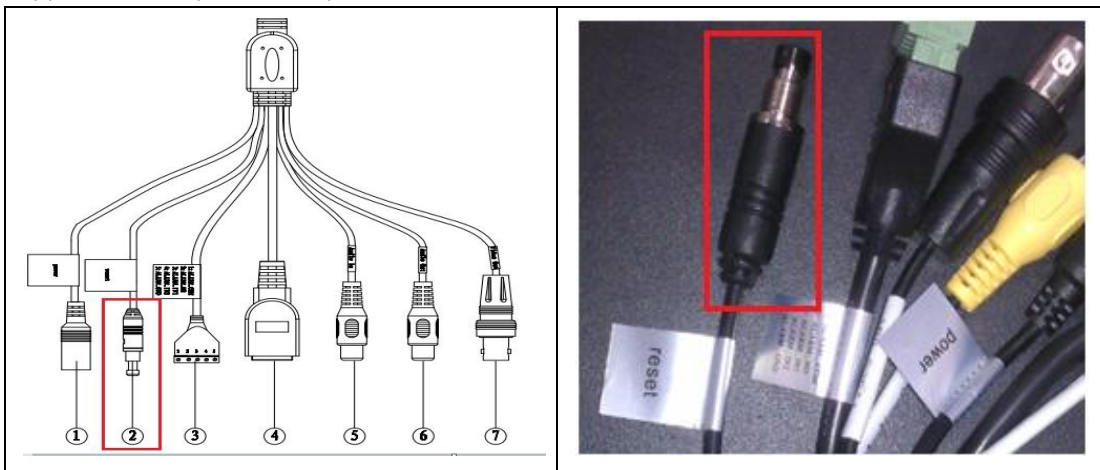
IPC-HFW3200C

IPC-HFW3202C

IPC-HFW3100C

IPC-HFW3101C

The pictures below are the sample of multi-function cable, and the reset is a button. (The appearance may not exactly the same)



B. Some earlier models

There is also a multiple-function combination cable; the reset terminal is together with the alarm terminal (you can find the label), you need shortage the **RESET** and **GND** pin (7&6 in the picture below) for at least 5 seconds to make a reset.



## 2.4 Mini IR Waterproof Fixed Network Camera (With Integrated Bracket)

Appearance:

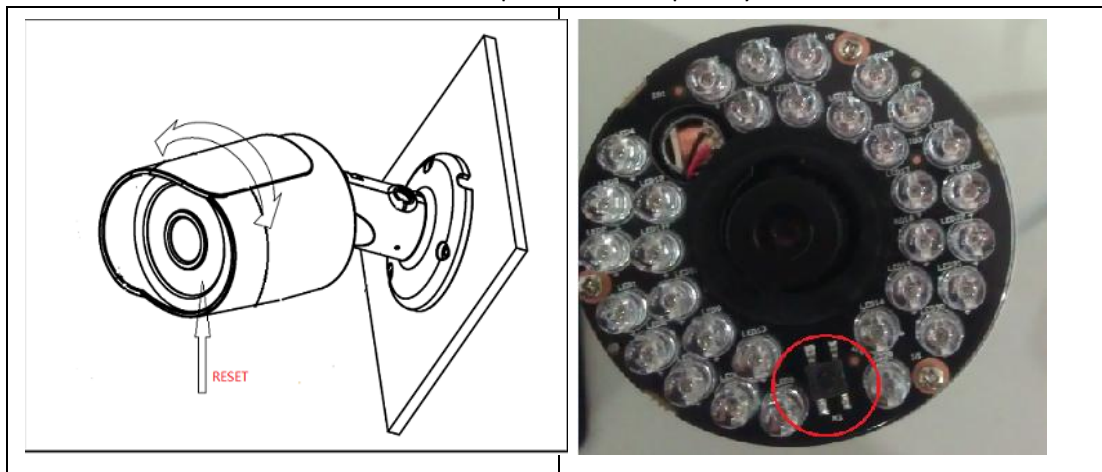


**Models:**

IPC-HFW3200SP/N series

IPC-HFW2100S series

The reset button is inside of the camera, open the lens cap and you will find it.



## 2.5 ( IR) Vandal Proof Network Dome Camera (and In-ceiling model)

Appearance:



**Models:**

IPC-HD/HDW3100 series

IPC-HD/HDW3200 series

IPC-HDB/HDBW3202 series

IPC-HDB/HDBW3101 series

IPC-HDB/ HDBW5100 series

IPC-HDB/ HDBW5200 series

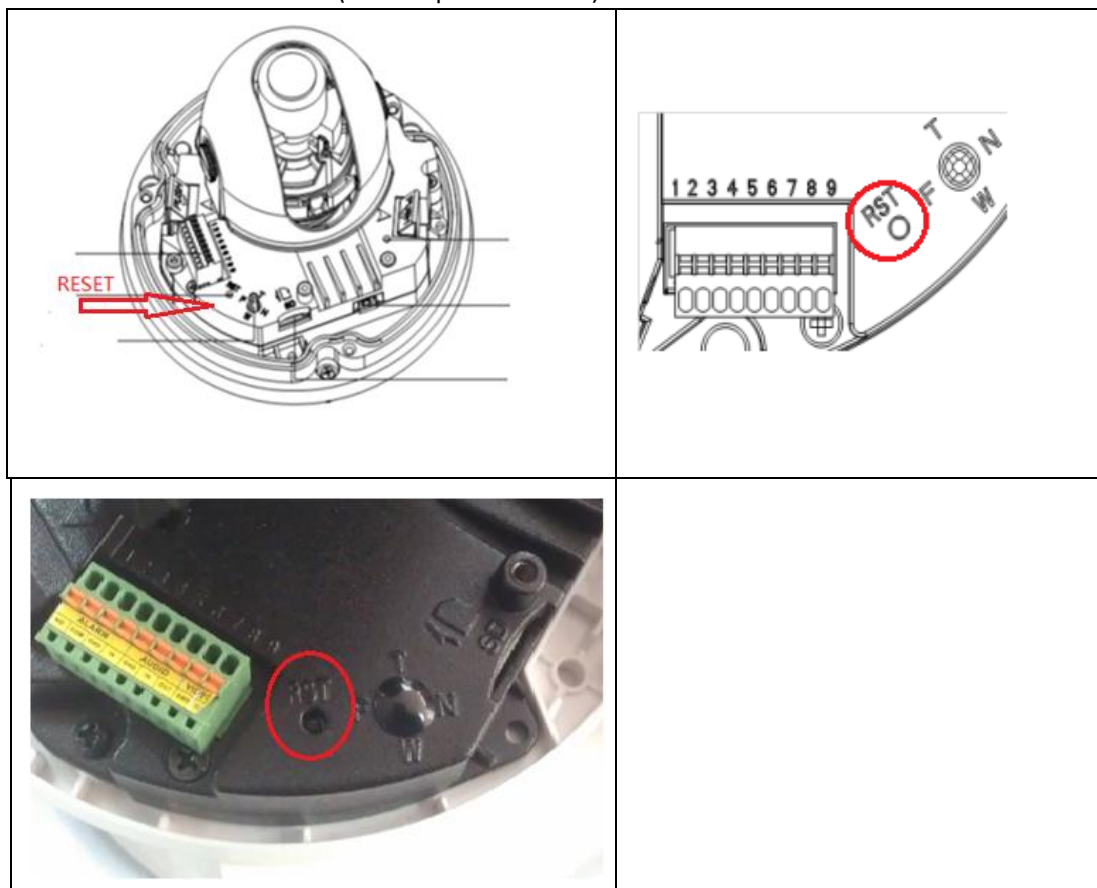
IPC-HDB/HDBW 3202-DI series (DI means in-ceiling model)

IPC-HDB/HDBW 3200-DI series

IPC-HDB/HDBW 3101-DI series

IPC-HDB/HDBW 3100-DI series

The reset button is inside of the camera, open the dome camera enclosure; you will find it next to the alarm terminals (see the picture below).



## 2.6 Mini dome

**Appearance:**



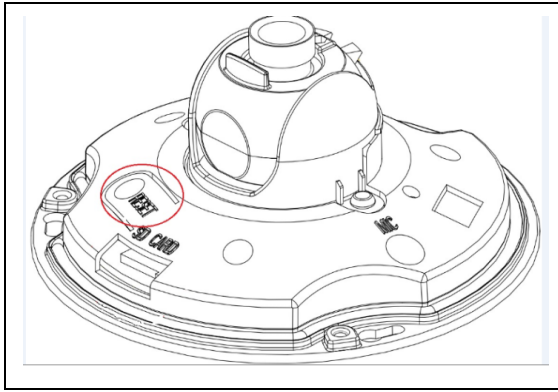
**Models:**

IPC-HDB3200C series

IPC-HDB3100C series

IPC-HD2100C series

The reset is inside the camera, open the dome camera enclosure and you can find it.



## 2.7 Mobile Network Camera (and some dome network camera)

Appearance:



Models:

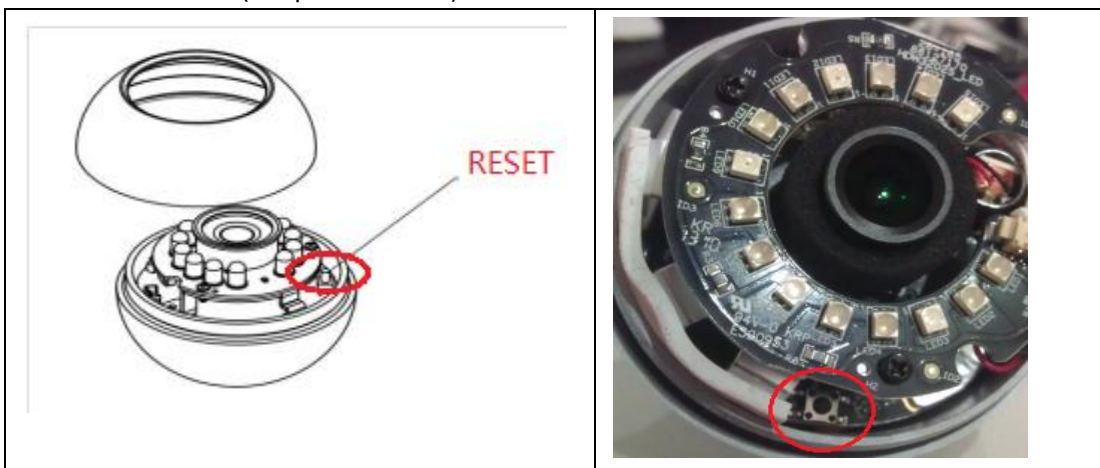
IPC-HDW2100-M

IPC-HDW2100 Series

IPC-HDW2200S

IPC-HDW3300S

The reset button is inside the camera, open the dome camera enclosure and will find it under the IR board.(see picture below)



## 2.8 Home use series

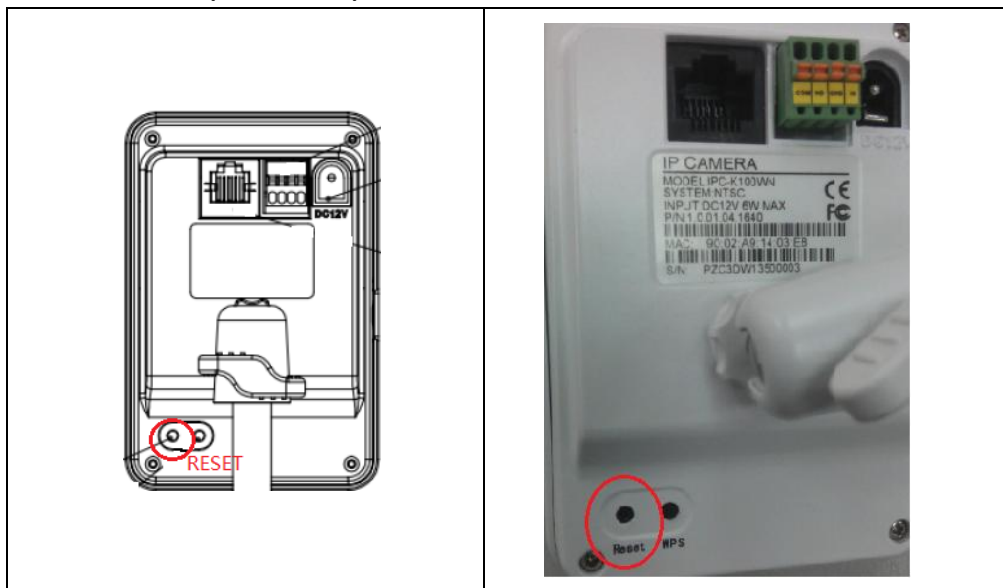


**Appearance:**

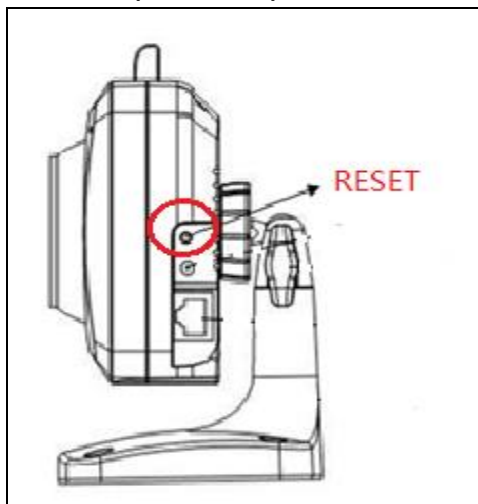


This type of network camera is very simple and small, and there reset button is mostly on the back or side of the camera.

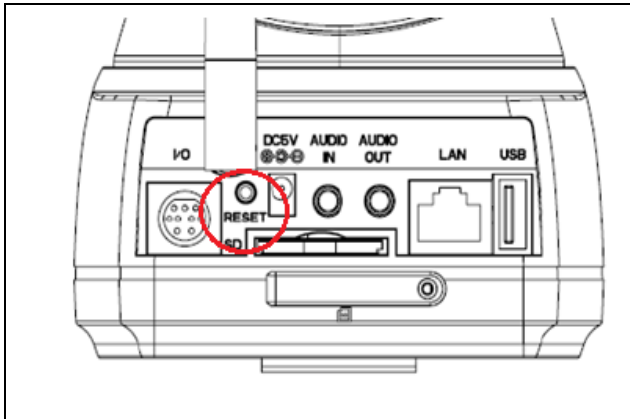
**a. K100 series (on the back)**



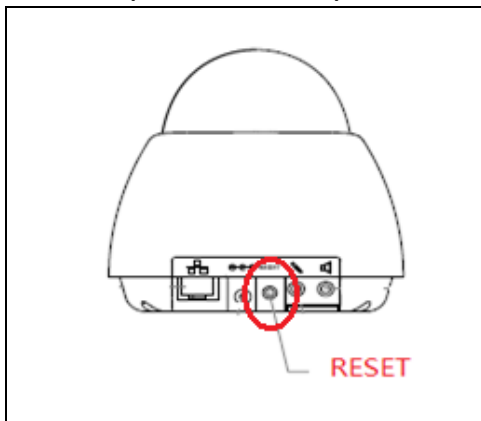
**A6 series (on the side)**



**A7 series (on the back)**



**A8 series (back in the cover)**



**Note: For the models not included, you can check the appearance as a reference.**