

Multi-sensor Panoramic Dome Camera

4 x 2 MP Multi-sensor Panoramic Network IR Dome Camera



- Four (4) 1/2.8-in. 2 MP Progressive Scan CMOS Imagers
- Triple-stream Encoding
- Smart H.265+ and Smart H.264+ Dual Codec
- Maximum Resolution: 4096 x 1800 at 30 fps
- Starlight Technology for Ultra-low Light Sensitivity
- Maximum IR LED Distance 30 m (98 ft)
- ArcticPro Series Camera - Operational down to -40°C (-40°F)
- IP67 Ingress Protection and IK10 Vandal Resistance
- Five-year Warranty*

System Overview

The multi-sensor camera provides added flexibility for capturing wide area video surveillance. With four (4) 2 MP sensors working in tandem to create a comprehensive 180° overview, the camera can replace multiple single-sensor cameras providing a higher return on investment. The multi-sensor camera features contrast, backlight compensation, white balance, and resolution control to create a crystal-clear image even in the most challenging lighting conditions. Plus, with IP67 and IK10 ratings, the camera is ready for any application.

Functions

Starlight Technology

For challenging low-light applications, Dahua's Starlight Ultra-low Light Technology offers best-in-class light sensitivity, capturing details in low light down to 0.002 lux. The camera uses a set of optical features to balance light throughout the scene, resulting in clear images in dark environments.

ArcticPro

The Dahua ArcticPro Series of extreme-environment cameras combine temperature-tolerant components with a waterproof enclosure to ensure flawless operation in temperatures as low as -40°F (-40°C) without the need for an internal heater. The lack of a heater reduces the camera's power consumption and saves operating costs. For applications that demand high-resolution video with advanced features in extremely cold environments, the Dahua ArcticPro Series offers a camera to satisfy the most demanding requirements.

True Day/Night

A day/night mechanical IR cut filter makes this camera ideal for applications with fluctuating lighting conditions, delivering color images during the day and automatically switching to monochrome as the scene darkens.

Smart IR

With IR illumination, detailed images can be captured in low light or total darkness. The camera's Smart IR technology adjusts the intensity of the camera's infrared LEDs to compensate for the distance of an object. Smart IR technology prevents IR LEDs from whitening out images as they come closer to the camera. The camera's integrated infrared illumination provides high-performance in extreme low-light environments up to 30 m (98 ft).

Environmental

The camera complies with the IK10 impact rating making it capable of withstanding the equivalent of 5 kg (11.02 lbs) of force dropped from a height of 40 cm (15.75 in.). Subjected and certified to rigorous dust and water immersion tests, the IP67 rating makes it suitable for demanding outdoor applications.

Technical Specification

Camera

Image Sensor	Four (4) 1/2.8-in. 2 MP CMOS Sensors
Effective Pixels	4096(H) x 1800(V)
RAM/ROM	2 GB / 4 GB
Scanning System	Progressive
Electronic Shutter Speed	Auto, Manual: 1/3 s to 1/100,000 s
Minimum Illumination	Color: 0.002 lux at F1.6 0 lux at F1.6 with IR on
S/N Ratio	More than 56 dB
IR Distance	Up to 30.0 m (98.43 ft)
IR On/Off Control	Auto, Manual
IR LEDs	Six (6)

Lens

Lens Type	Fixed-focal
Mount Type	M12
Focal Length	2.8 mm
Max. Aperture	F1.6
Angle of View	Horizontal: 180° Vertical: 90°
Focus Control	Fixed
Close Focus Distance	0.60 m (23.62 in.)

DORI Distance¹

Detect (8 ppf)	Observe (19 ppf)	Recognize (38 ppf)	Identify (76 ppf)
38.60 m (126.60 ft)	15.40 m (50.50 ft)	7.70 m (25.30 ft)	3.90 m (12.80 ft)

Pan/Tilt/Rotation

Range	Pan: 0° to 355° Tilt: 0° to 75° Rotation: ±20°
-------	--

Video

Compression	Smart H.265+, H.265, Smart H.264+, H.264, H.264H, H.264B, MJPEG (sub stream only)
Streaming Capability	Three (3) Streams
Resolution	4096 x 1800, 3840 x 1680, 2880 x 1264, 1920 x 832, 1280 x 560, 1024 x 452
Frame Rate	Main Stream: 4096 x 1800 at 30 fps
	Sub Stream 1: 1024 x 452 at 30 fps
	Sub Stream 2: 1920 x 832 at 30 fps
Bit Rate Control	CBR, VBR
Bit Rate	H.265: 9 Kbps to 17664 Kbps H.264: 24 Kbps to 17664 Kbps
Day/Night	Auto (ICR), Color, B/W
BLC Mode	BLC, HLC, DWDR

1. The DORI distance is a measure of the general proximity for a specific classification to help pinpoint the right camera for your needs. The DORI distance is calculated based on sensor specifications and lab test results according to EN 62676-4, the standard that defines the criteria for the Detect, Observe, Recognize and Identify classifications.

White Balance	Auto, Natural, Street Lamp, Outdoor, Manual, Regional Custom
Gain Control	Auto, Gain Priority, Shutter Priority, Manual
Noise Reduction	3D DNR
Motion Detection	Off, On (4 Zone, Rectangle)
Region of Interest	Off, On (4 Zone)
Advanced Features	Smart Illumination, Defog
Digital Zoom	16x
Privacy Masking	Off, On (4 Area, Rectangle)

Audio

Compression	PCM, G.711a, G.711Mu, AAC, G.726, G.723
-------------	---

Network

Ethernet	RJ-45 (10/100/1000 Base-T)
Protocol	HTTP, HTTPS, TCP, ARP, RTSP, RTP, UDP, SMTP, FTP, DHCP, DNS, DDNS, PPPoE, IPv4/v6, QoS, UPnP, NTP, Bonjour, 802.1x, Multicast, ICMP, IGMP, SNMP
Interoperability	ONVIF (Profile S/Profile G/Profile T), CGI, P2P, Milestone, Genetec
Streaming Method	Unicast, Multicast
Maximum User Access	20 Users (Total Bandwidth: 80 Mbps)
Edge Storage	Network Attached Storage (NAS), FTP, SFTP, Micro SD Card, maximum 128 GB
Web Viewer	IE version 9 and later Firefox version 50 and later Chrome version 48 and later
Management Software	DSS, DMSS
Mobile Operating System	iOS, Android

Certifications

Safety	EN 62368-1 UL 60950-1 CAN/CSA C22.2 No.60950-1-07
Electromagnetic Compatibility (EMC)	47 CFR FCC Part 15 Subpart B Electromagnetic Compatibility Directive

Interface

Video	One (1) Port, BNC (use for adjustment only)
Audio	Input: One (1) Channel, RCA Output: One (1) Channel, RCA
Alarm	Input: Two (2) Channels (3 VDC to 5 VDC, 5 mA) Output: Two (2) Channels (30 VDC, 1 A; 50 VAC, 0.5 A)
RS485	One (1) Port (baud rate range: 1200 bps–115200 bps)

Electrical

Power Supply	12 VDC, 24 VAC, or PoE+ (802.3at Class 4)
Power Consumption	< 14.9 W

Environmental

Operating Conditions	-40° C to +60° C (-40° F to +140° F), Less than 95% RH
Storage Conditions	-40° C to +60° C (-40° F to +140° F), Less than 95% RH
Ingress Protection	IP67
Vandal Resistance	IK10

Construction

Casing	Metal and Plastic
Dimensions	ø212.0 mm x 169.50 mm (ø8.35 in. x 6.67 in.)
Net Weight	3.65 kg (8.05 lb)
Gross Weight	4.37 kg (9.63 lb)

Intelligent Video System Functions

IVS triggers an alarm and takes a defined action for the following events:

Standard Features	<ul style="list-style-type: none"> Tampering with the camera. Error writing to an onboard Micro SD card. Error sending or receiving data over the network. Unauthorized access to the camera. IP Address Conflict
Premium Features	
Tripwire	A target crosses a user-defined line.
Intrusion	A target enters or exits a defined perimeter.

Ordering Information

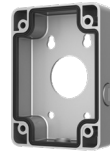
Type	Part Number	Description
4 x 2 MP Camera	DH-IPC-PDBW8840N-A180	Four (4) x 2 MP Multi-sensor Panoramic Network IR Dome Camera
Accessories, Included	PFA111	Mount Adapter
Accessories, optional	DH-PFA120-SG	Junction Box, silver (use with DH-PFB303W-SG wall mount)
	DH-PFA150-SG	Pole Mount, silver (use with DH-PFB303W-SG wall mount)
	DH-PFB300C-SG	Ceiling Mount, silver (use with PFA111 mount adapter)
	DH-PFB303W-SG	Wall Mount, silver (use with PFA111 mount adapter)

Accessories

Included:



Optional:



DH-PFA120-SG Junction Box



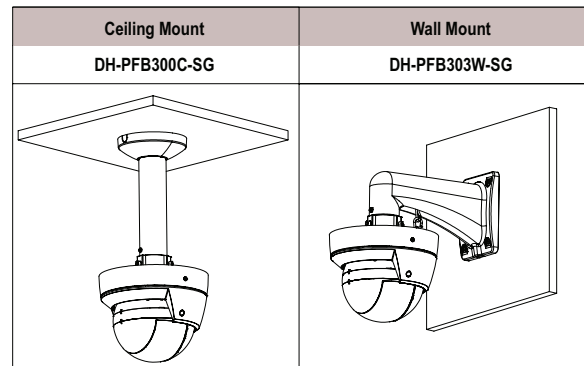
DH-PFA150-SG Pole Mount



DH-PFB300C-SG Ceiling Mount



DH-PFB303W-SG Wall Mount



Dimensions (mm/inch)

