

DH-PFB200C

In-ceiling Mount Bracket



Features

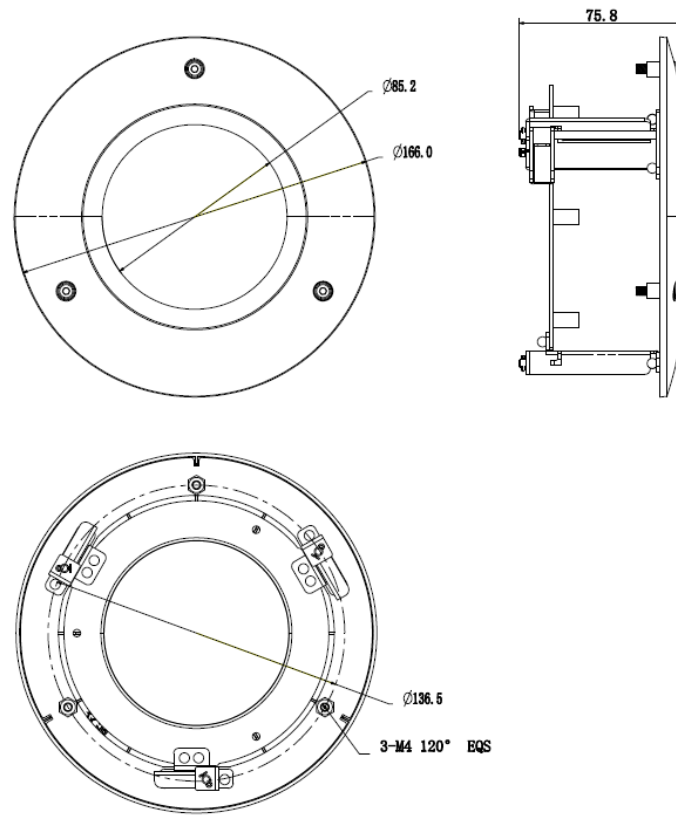
- Material: SECC & PC
- Junction Box
- Neat & Integrated design

Specifications

Model	DH-PFB200C
General	
Material	SECC & PC
Dimension	Φ166.0x75.8mm
Inch Thread	G3/4"
Operating Temperature	-40°C ~60°C
Humidity	0~90% RH
Load Bearing	1.0Kg
Weight	0.32Kg
Color	White
Applicable Model	Please see "Accessory Selection"

DH-PFB200C

Dimensions (mm)



Application

