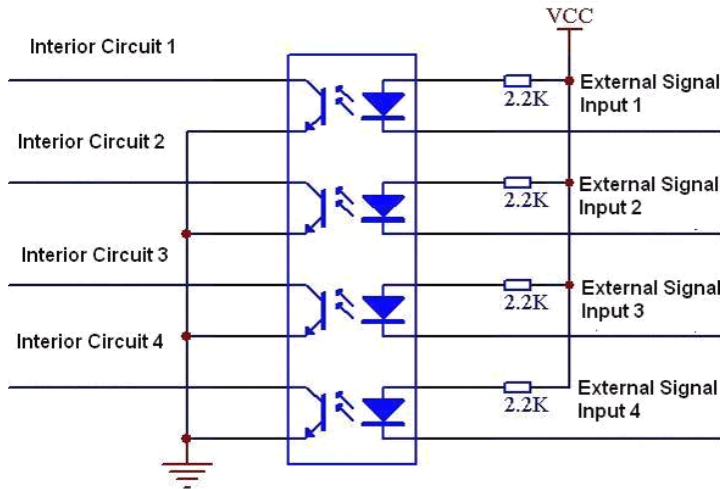


Alarm Setting

1、 Alarm input

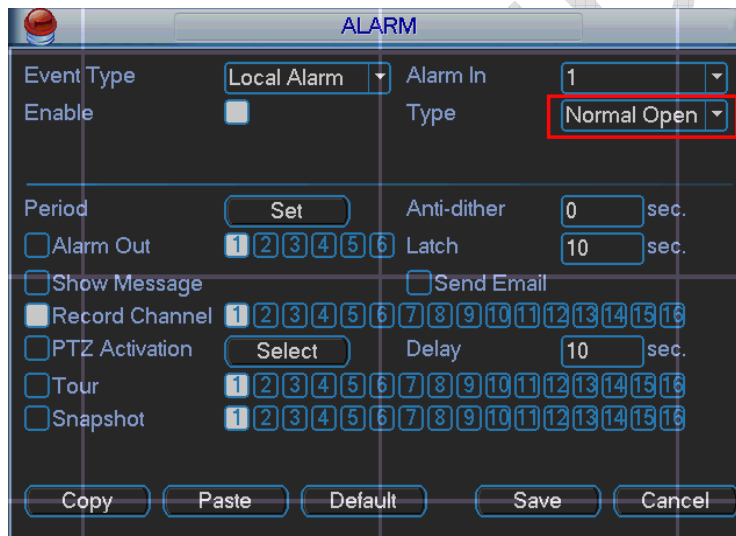
This is the internal construct of alarm input



DVR Alarm input set to **Normal Open** :

Alarm1 connect to the Grand, DVR start alarm

Alarm1 disconnect to the Grand, DVR do not start alarm

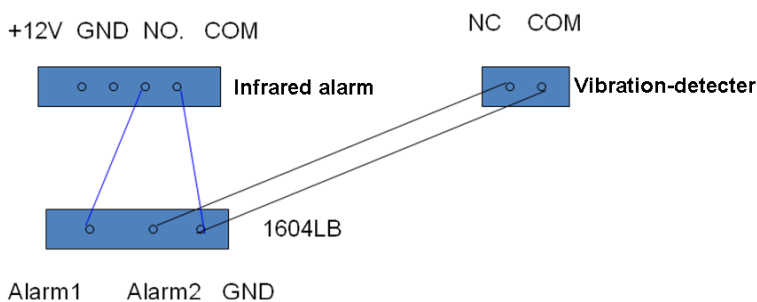


DVR Alarm input set to **Normal Close** :

Alarm1 connect to the Grand, DVR do not start alarm

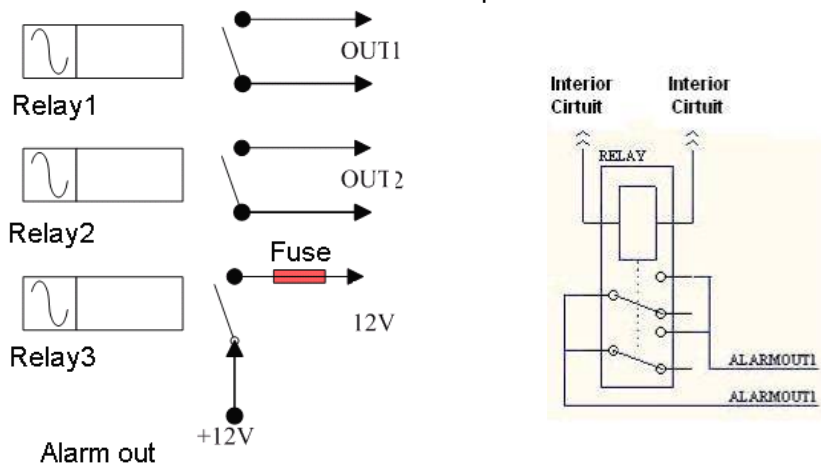
Alarm1 disconnect to the Grand, DVR start alarm

Sample for alarm input



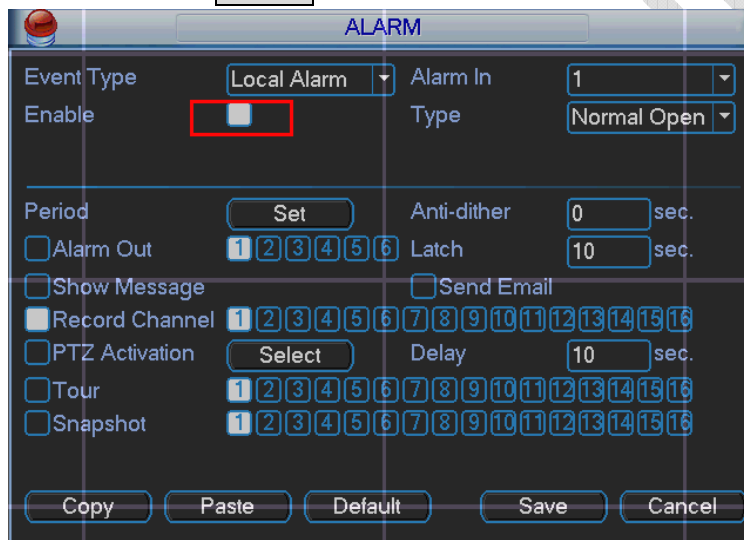
2、 Alarm output

This is the internal construct of alarm input



3、 How to trigger an alarm signal

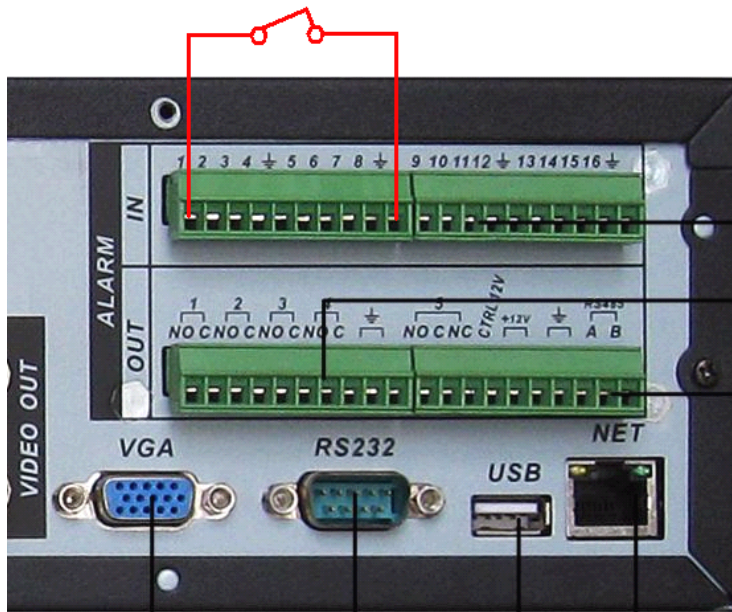
A、 Please enable the Alarm in



B、 Please make sure the period is enabled



C、Shortcut Alarm1 and the Grand, alarm1 is triggered



D、If you want the DVR start recording or get alarm out, please enable the related option

