

# IR Megapixel Fixed MiniDome

## 1.3MP MiniDome Network Camera



- Max 25/30fps@1.3MP (1280×960)
- DWDR
- True Day/Night
- Fixed Lens Options 2.8mm and 3.6mm
- Smart IR 30m (98ft)
- Outdoor Rated IP67
- Vandal Resistant IK10



### System Overview

The IR Megapixel Fixed MiniDome camera delivers 1.3MP resolution with a choice of 2.8mm or 3.6mm wide angle lens options. The camera's elegant blend of aesthetics combined with a range of easy mounting solutions provides an excellent choice for a variety of small to mid-size applications at an affordable price.

### Functions

#### True Day/Night

A day/night mechanical IR cut filter makes this camera ideal for applications with fluctuating lighting conditions, delivering color images during the day and automatically switching to monochrome as the scene darkens.

#### Regions of Interest

Regions of Interest (ROI) is a user defined feature that allows the operator to monitor specific areas of a scene while still maintaining overall situational awareness of less important areas.

#### Smart IR

With IR illumination, detailed images can be captured in low light or total darkness. The camera's Smart IR technology adjusts to the intensity of camera's infrared LEDs to compensate for the distance of an object. Smart IR technology prevents IR LEDs from whitening out images as they come closer to the camera. The camera's integrated infrared illumination provides high performance in extreme low-light environments up to 30m (98ft).

#### Image Flip

Capturing unnecessary data such as surrounding hallway walls can increase storage requirements without any added value. The image flip feature allows the camera's image to be rotated in 90° increments for better video optimization.

### Functions

#### Protection

The camera's outstanding reliability is unsurpassed due to its rugged design. The camera is protected against water and dust to IP67 standards, making it suitable for indoor or outdoor environments. With its IK10 rated impact resistant design, the camera provides maximum durability against vandals making it capable of withstanding the equivalent of 55 kg (120lbs) of force.

Supporting  $\pm 25\%$  input voltage tolerance, this camera suits even the most unstable conditions for outdoor applications. Its 8KV lightning rating provides protection against the camera and its structure from the effects of lightning.

#### Streaming

With a choice of unicast or multicast streaming, bandwidth-efficient viewing, recording and third-party video management can easily be achieved. Dual streaming enables bandwidth-efficient viewing and recording. Depending on the resolution and frame rate selected on the first stream, the second stream provides a copy at a lower resolution.

#### Interoperability

The camera conforms to the ONVIF (Open Network Video Interface Forum) specifications, ensuring interoperability between network video products regardless of manufacturer.

## Technical Specification

### Camera

|                          |  |
|--------------------------|--|
| Image Sensor             | 1/3" CMOS  |
| Effective Pixels         | 1920(H) x 960(V)   |
| ROM / RAM                | 8MB / 128MB  |
| Scanning System          | Progressive  |
| Electronic Shutter Speed | 1/1 ~ 1/100,000s   |
| Minimum Illumination     | Color: 0.1 Lux@F2.0;<br>B/W: 0.01 Lux@F2.0;<br>0 Lux (IR on) |
| S/N Ratio                | More than 50dB   |
| IR Distance              | Distance Up to 30m (98ft)                                    |
| IR On/Off Control        | Auto / Manual  |
| IR LEDs                  | 24   |

### Lens

|               |                      |
|---------------|----------------------|
| Lens Type     | Fixed                |
| Mount Type    | Board-in             |
| Focal Length  | 2.8mm, 3.6mm options |
| Max Aperture  | F2.0/F2.0            |
| Angle of View | H: 89°/71°           |
| Focus Control | Fixed                |

### Pan/Tilt Range

|                |   |
|----------------|---|
| Pan/Tilt Range | Pan: 0° ~ 355°; Tilt: 0° ~ 65°, Rotation: 0° ~ 355° |
|----------------|---|

### Video

|                      |   |
|----------------------|---|
| Compression          | H.264/MJPEG   |
| Streaming Capability | 2 Streams   |
| Resolution           | 1.3MP (1280×960) / 720p (1280×720) / D1 (704×576/704×480) / CIF (352×288/352×240) |
| Frame Rate           | Main Stream 1.3MP (1 ~ 30fps)<br>Sub Stream 1 D1/CIF (1 ~ 30fps)                  |
| Bit Rate Control     | CBR / VBR   |
| Bit Rate             | H.264: 4K ~ 8192Kbps  |
| Day/Night            | Auto (ICR) / Color / B/W  |
| BLC Mode             | BLC / HLC / DWDR  |
| White Balance        | Auto / Sunny / Night / Outdoor / Customized                                       |
| Gain Control         | Auto / Manual   |
| Noise Reduction      | 3D DNR  |
| Motion Detetion      | Off / On (4 Zone, Rectangle)  |
| Region of Interest   | Off / On (4 Zone)   |
| Smart IR             | Support   |
| Digital Zoom         | 16x   |
| Flip                 | 0°/90°/180°/270°  |
| Mirror               | Off / On  |
| Privacy Masking      | Off / On (4 Area, Rectangle)  |

### Network

|                     |   |
|---------------------|---|
| Ethernet            | RJ-45 (10/100Base-T)  |
| Protocol            | IPv4/ IPv6, HTTP, HTTPS, SSL, TCP/IP, UDP, UPnP, ICMP, IGMP, SNMP, RTSP, RTP, SMTP, NTP, DHCP, DNS, PPPOE, DDNS, FTP, IP Filter, QoS, Bonjour, 802.1x |
| Interoperability    | ONVIF, CGI  |
| Streaming Method    | Unicast / Multicast   |
| Max. User Access    | 20  |
| Web Viewer          | IE10....  |
| Management Software | Smart PSS, DSS  |
| Smart Phone         | Android, ios  |

### Certifications

|                |   |
|----------------|---|
| Certifications | FCC (SEFD1509190-A )<br>UL (E234884-A60-UL) |
|----------------|---|

## Electrical

|                          |  |
|--------------------------|--|
| <b>Power Supply</b>      | 12V DC $\pm$ 25%, PoE (af Class 0)                 |
| <b>Power Consumption</b> | Max. 4W (12V DC, IR On),<br>Max. 5.6W (PoE, IR On) |

## Environmental

|   |   |
|---|---|
| <b>Operating Conditions</b>                       | -30°C ~ +60°C (-22°F ~ +140°F) / Less than 90% RH |
| <b>Storage Conditions</b>                         | -30°C ~ +60°C (-22°F ~ +140°F) / Less than 90% RH |
| <b>Ingress Protection &amp; Vandal Resistance</b> | IP67, IK10  |

## Construction

|                     |   |
|---------------------|---|
| <b>Casing</b>       | Metal   |
| <b>Dimensions</b>   | $\Phi$ 109.9mm $\times$ 81mm (4.33" $\times$ 3.19") |
| <b>Net Weight</b>   | 0.38Kg (0.84lb)                                     |
| <b>Gross Weight</b> | 0.44Kg (0.97lb)                                     |

## Ordering Information

| Type         | Part Number             | Description  |
|--------------|-------------------------|--|
| 1.3MP Camera | DH-IPC-HDBW11A0EN 2.8mm | 1.3MP, 2.8mm, Manual Lens, True D/N, DWDR, 30fps@1.3MP, IP67, IK10, IR: up to 30m (98ft), DC12V, PoE |
|              | DH-IPC-HDBW11A0EN 3.6mm | 1.3MP, 3.6mm, Manual Lens, True D/N, DWDR, 30fps@1.3MP, IP67, IK10, IR: up to 30m (98ft), DC12V, PoE |
| Accessories  | PFA136                  | Junction Box   |
|              | PFB203W                 | Wall Mount Bracket (for use with PFA152)   |
|              | PFA152                  | Pole Mount Bracket (for use with PFB203W)  |
|              | PFA150                  | Pole Mount Bracket (for use with PFA136)   |
|              | PFA151                  | Corner Mount Bracket (for use with PFA136)   |

## Accessories

Optional:



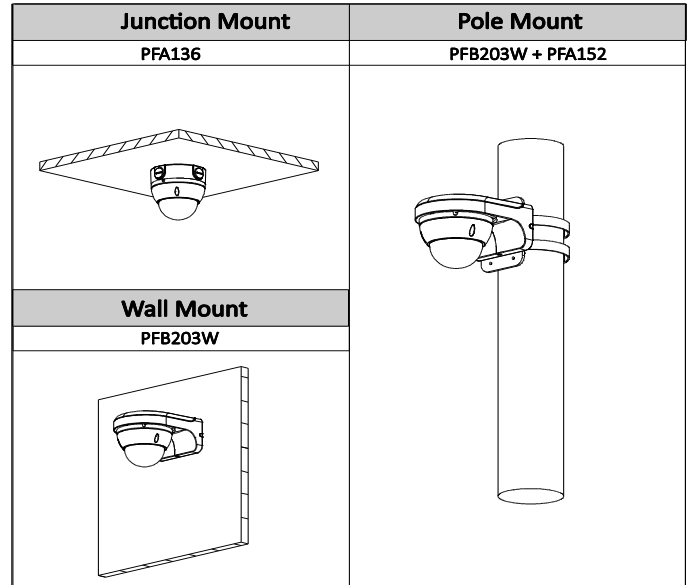
PFA136  
Junction Box



PFB203W  
Wall Mount



PFA152  
Pole Mount



## Dimensions (mm/inch)

