

3x PTZ MiniDome

2MP Indoor/Outdoor Network Camera



- Max 60fps@720p and 30fps@1080p
- True Day/Night
- Powerful 3x optical Zoom
- Built-in 2/1 Alarm in/out
- Outdoor Rated IP66
- Vandal Resistant IK10
- POE



System Overview

Featuring a True Day/Night, 2-megapixel resolution, Pan/Tilt/Zoom (PTZ) camera with a 3x optical zoom lens, this series provides an all-in-one solution for capturing long distance video surveillance for outdoor applications. The series combines a day/night mechanical IR cut filter for the highest image quality for variable lighting conditions during the day.

Functions

True Day/Night

A day/night mechanical IR cut filter makes this camera ideal for applications with fluctuating lighting conditions, delivering color images during the day and automatically switching to monochrome as the scene darkens.

Regions of Interest

Regions of Interest (ROI) is a user defined feature that allows the operator to monitor specific areas of a scene while still maintaining overall situational awareness of less important areas.

Image Flip

Capturing unnecessary data such as surrounding hallway walls can increase storage requirements without any added value. The image flip feature allows the camera's image to be rotated in 90° increments for better video optimization.

Environmental

With a temperature range of -20°C ~ +60°C (-4°F ~ +140°F), the camera is designed for extreme temperature environments. The camera complies to an IK10 impact rating making it capable of withstanding the equivalent of 55 kg (120 lbs) of force. Subjected and certified to rigorous dust and water immersion tests, the IP66 rating makes it suitable for demanding outdoor applications.

Protection

Supporting ±25% input voltage tolerance, this camera suits even the most unstable conditions for outdoor applications. Its 8KV lightning rating provides protection against the camera and its structure from the effects of lightning.

Streaming

With a choice of unicast or multicast streaming, bandwidth-efficient viewing, recording and third-party video management can easily be achieved. Dual streaming enables bandwidth-efficient viewing and recording. Depending on the resolution and frame rate selected on the first stream, the second stream provides a copy at a lower resolution.

Technical Specification

Camera

Image Sensor	1/2.8" Exmor CMOS
Effective Pixels	1944 H x 1092 V
Scanning System	Progressive
Electronic Shutter Speed	1/1 ~ 1/30,000s
Minimum Illumination	Color: 0.05Lux@F1.6; B/W: 0.005Lux@F1.6; 0Lux (IR on)
S/N Ratio	More than 50dB

Lens

Lens Type	Motorized/ Auto Iris
Mount Type	Board-in
Focal Length	3.0mm ~ 9.0mm (3x Optical zoom)
Max Aperture	F1.6 ~ F2.7
Angle of View	H: 116.5° ~ 34.5°
Focus Control	Auto / Manual
Close Focus Distance	100mm~ 1500mm

PTZ

Pan/Tilt Range	Pan: 0° ~ 360° endless; Tilt: 0° ~ 90°, auto flip 180°
Manual Control Speed	Pan: 0.1° ~ 240°/s; Tilt: 0.1° ~ 160°/s
Preset Speed	Pan: 240°/s; Tilt: 160°/s
Presets	300 (DH-SD)
PTZ Mode	5 Pattern, 8 Tour, Auto Pan, Auto Scan
Speed Setup	Human-oriented focal length / speed adaptation
Power up Action	Auto restore to previous PTZ and lens status after power failure
Idle Motion	Activate Preset/ Scan/ Tour/ Pattern if there is no command in the specified period
Time Task	Auto activation of Preset/ Pan/ Scan/ Tour/ Pattern by preset-time
Protocol	DH-SD, Pelco-P/D (Auto recognition)

Video

Compression	H.264 / MJPEG
Streaming Capability	2 Streams
Resolution	1080p (1920×1080) / 720p (1280×720) /D1 (704×576/704×480) /CIF (352×288/352×240)
	Main Stream: 1080p (1 ~ 30fps), 720p (1~60fps) Sub Stream: D1/CIF (1 ~ 30fps)
Bit Rate Control	CBR / VBR
Bit Rate	H.264: 56K ~ 8192Kbps, MJPEG: 56K ~ 20480Kbps
Day/Night	Auto (ICR) / Color / B/W
BLC Mode	BLC / HLC / DWDR
White Balance	Auto, ATW, Indoor, Outdoor, Manual
Gain Control	Auto / Manual
Noise Reduction	2D/3D
Motion Detetion	Off / On (4 Zone, Rectangle)
Region of Interest	Off / On (4 Zone)
Digital Zoom	16x
Flip	0°/180°
Privacy Masking	Up to 24 Areas

Network

Ethernet	RJ-45 (10/100Base-T)
Protocol	IPv4/ IPv6, HTTP, HTTPS, SSL, TCP/IP, UDP, UPnP, ICMP, IGMP, SNMP, RTSP, RTP, SMTP, NTP, DHCP, DNS, PPPOE, DDNS, FTP, IP Filter, QoS, Bonjour, 802.1x
Interoperability	ONVIF, PSIA, CGI
Streaming method	Unicast / Multicast
Max. User Access	20
Edge Storage	Micro SD (128GB) Memory Status Display (Normal / Error/ Active / Formatting / Lock), NAS (Network Attached Storage), Local PC for Instant Recording, Micro SD, Max 64GB
Web Viewer	IE10....
Management Software	Smart PSS, DSS
Smart Phone	Android, ios

Certifications

Certifications	FCC (SEFD1504032-A) UL (E234884-A47-UL)
-----------------------	--

Electrical

Power Supply	DC12V, PoE (802.3af)
Power Consumption	Max. 10W

Environmental

Operating Conditions	-20°C ~ +60°C (-4°F ~ +140°F) / Less than 90% RH *Start up should be done at above -35°C (-31°F)
Storage Conditions	-30°C ~ +60°C (-22°F ~ +140°F) / Less than 90% RH
Ingress Protection & Vandal Resistance	IP67, IK10

Construction

Casing	Metal
Dimensions	Φ160mm x 132mm (Φ6.30" x 5.20")
Net Weight	1.3kg (2.87lbs)
Gross Weight	1.67kg (3.68lbs)

Accessories

Optional:



PFB300C
Ceiling mount



PFB302S
Wall mount



PFA101
Mount Adapter



PFA151
Pole mount

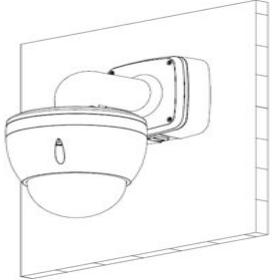
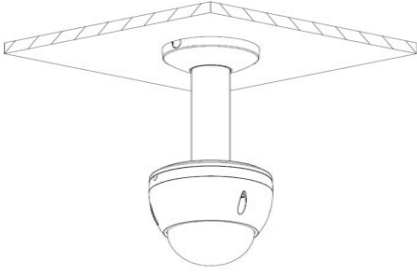




PFA152
Pole mount

Ordering Information

Type	Part Number	Description
2MP Camera	DH-SD32A203SN-HN	2MP HD PTZ ,3x Zoom, DWDR, IP66, IK10, POE
Accessories	PFA101	Mount Adapter
	PFB302S	Water-proof Wall Mount Bracket
	PFB300C	Ceiling Mount Bracket
	PFA151	Pole Mount Bracket
	PFA152	Pole Mount Bracket

Installation

Wall Mount	Ceiling Mount
PFA101+PFB302S	PFA101+PFB300C
	
Pole Mount	Junction Mount
PFA101+PFB302S+PFA152	PFA101+PFB302S+PFA151
	

Dimensions (mm/inch)

