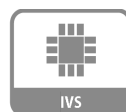


4K Megapixel Box

12MP Box Network Camera



- Max 15 fps at 12 MP (4000x3000)
- True Day/Night DWDR
- Defog, ROI, EIS
- 2/1 Alarm in/out, 1/1 Audio in/out, Built-in Mic
- Intelligent Video System (IVS)
- Onboard Storage
- Five-year Warranty



System Overview

The 4K UHD Box network camera delivers 12MP resolution. The camera's elegant blend of aesthetics combined with a range of easy mounting solutions provides an excellent choice for a variety of mid-size applications.

Functions

True Day/Night

A day/night mechanical IR cut filter makes this camera ideal for applications with fluctuating lighting conditions, delivering color images during the day and automatically switching to monochrome as the scene darkens.

Regions of Interest

Regions of Interest (ROI) is a user defined feature that allows the operator to monitor specific areas of a scene while still maintaining overall situational awareness of less important areas.

Image Flip

Capturing unnecessary data such as surrounding hallway walls can increase storage requirements without any added value. The image flip feature allows the camera's image to be rotated in 90° increments for better video optimization.

Defog

Utilizing Dahua's advanced algorithm technology, the Defog feature dynamically adjusts the camera's contrast settings to provide satisfying image quality in scenes affected by fog, smog, mist, smoke or other lowcontrast scenes. Regardless of weather conditions, the quality and relevancy of video images are improved with the Defog feature.

Intelligent Video System (IVS)

With built-in intelligent video analytics, the camera has the ability to detect and analyze moving objects for improved video surveillance. The camera provides standard intelligence at the edge allowing detection of multiple object behaviors such as abandoned or missing objects. IVS also supports Tripwire analytics, allowing the camera to detect when a pre-determined line has been crossed, People Counting, ideal for business intelligence, Facial Detection, for searching or identification of individuals, and Heat map, exporting the daily or hours report that shows the hottest area.

Streaming

With a choice of unicast or multicast streaming, bandwidth-efficient viewing, recording and third-party video management can easily be achieved. Multiple streaming enables bandwidth-efficient viewing and recording. Depending on the resolution and frame rate selected on the first stream, the second and third stream provides a copy at a lower resolution.

Technical Specification

Camera

Image Sensor	1/1.7" CMOS
Effective Pixels	4000 (H) x 3000 (V)
ROM / RAM	128MB / 1GB
Scanning System	Progressive
Electronic Shutter Speed	1/3 ~ 1/10000s
Minimum Illumination	Color: 0.05Lux@F1.2; B/W: 0.005Lux/F1.2
S/N Ratio	More than 50dB
Video Output	1 Channel BNC (1.0Vp-p,75Ω)

Lens

Lens Type	Fixed
Mount Type	C/CS
Focus Control	Manual

Alarm and Audio

Alarm In/Out	2/1
Audio In/Out	1/1 Channel In/Out (Built in Mic)

Video

Compression	H.264 / MJPEG
Streaming Capability	3 Streams
Resolution	12MP (4000× 3000)/8MP (3840× 2160)/1080p (1920× 1080)/720p (1280 × 720) / D1 (704× 576) /CIF (352× 288)
Frame Rate	Main Stream 12MP (1~15fps) / 8MP / 1080p (1~30fps) Sub Stream 1 D1/CIF (1 ~ 30fps) Sub Stream 2 1080p / 720p /D1 (1 ~ 30fps)
Bit Rate Control	CBR / VBR
Bit Rate	H.264: 32K ~ 16Mbps
Day/Night	Auto (ICR) / Color / B/W
BLC Mode	BLC / HLC / DWDR
White Balance	Auto / Manual
Gain Control	Auto / Manual
Noise Reduction	3D DNR
Motion Detection	Off / On (4 Zone, Rectangle)
Region of Interest	Off / On (4 Zone)
Digital Zoom	16x
Flip	0°/90°/180°/270°
Mirror	Off / On
Privacy Masking	Off / On (4 Area, Rectangle)
EIS	Support
Ultra Defog	Support

Network

Ethernet	RJ-45 (10/100/1000Base-T)
Protocol	IPv4/ IPv6, HTTP, HTTPS, SSL, TCP/IP, UDP, UPnP, ICMP, IGMP, SNMP, RTSP, RTP, SMTP, NTP, DHCP, DNS, PPPOE, DDNS, FTP, IP Filter, QoS, Bonjour, 802.1x
Interoperability	ONVIF, PSIA, CGI
Streaming Method	Unicast / Multicast
Max. User Access	20
Edge Storage	NAS (Network Attached Storage), Local PC for instant recording, Micro SD 128GB
Web Viewer	IE 10, Firefox, Safari
Management Software	Smart PSS, DSS
Smart Phone	Android, IOS

Certifications

Certifications	FCC (SEFD1411087-A)
----------------	---------------------

Electrical

Power Supply	12V DC \pm 25%, PoE (af Class 0)
Power Consumption	Max. 12W (12V DC, ABF & ICR on)

Environmental

Operating Conditions	-30°C ~ +60°C (-22°F ~ +140°F) / Less than 90% RH
Storage Conditions	-30°C ~ +60°C (-22°F ~ +140°F) / Less than 90% RH

Construction

Casing	Plastic
Dimensions	74.1mm \times 65.5mm \times 135.4mm (2.92" \times 2.58" \times 5.33")
Net Weight	0.30 kg (0.66 lb)
Gross Weight	0.34 kg (0.75 lb)

Intelligence

IVS triggers an alarm and takes a defined action for the following events:

Standard Features	Tampering with the camera. Camera loses or changes focus drastically. Error writing to an onboard Micro SD card. Error sending or receiving data over the network. Unauthorized access to the camera.
Premium Features	
Motion	An object moves through any part of the scene.
Tripwire	A target crosses a user-defined line.
Intrusion	A target enters or exits a defined perimeter.
Scene Change	A person or object moves the camera to change the scene or covers the camera to obscure the scene.
Abandoned/Missing Object	A target leaves an object in designated area, or a target removes an object from the same designated area.
Advanced Features	
Facial Detection	Detects and captures a snapshot of a human face in a defined area within a scene.
People Counting	Measure the number of customers, visitors or passengers in a surveillance scene.
Heat Map	Generates a visual representation of data.

Accessories

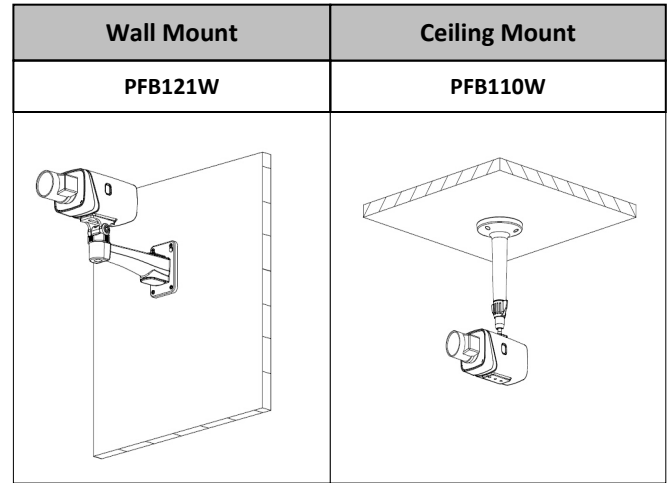
Optional:



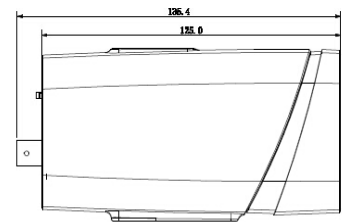
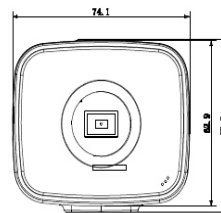
PFB121W
Wall mount



PFB121W
Ceiling mount



Dimensions (mm/inch)



Ordering Information

Type	Part Number	Description
12MP Camera	DH-IPC-HF812A0EN	12MP, 1.57mm, DWDR, IK10, PoE, IVS
Accessories	PFB121W	Wall Mount
	PFB110W	Ceiling Mount