

IR HDCVI Vari-focal Dome

2.1MP Dome Camera



HDCVI

- 120dB True WDR, 3DNR
- Max 30fps@1080p
- Long Distance Real-time Transmission
- HD and SD Dual-output, SD Tester Out
- 2.7~12mm Motorized Lens
- Max. IR LEDs Length 30m, Smart IR
- IP67, IK10, DC12V



System Overview

Experience full HD 1080p video with the simplicity of using existing coaxial infrastructure. The HDCVI Dome camera offers a discreet, compact design with integrated Smart IR illumination for distances up to 30m (98ft). Delivering full HD 1080p over a single coaxial cable provides the best of both worlds for users who want to maintain their existing analog infrastructure but want high definition images at a more affordable price. The sleek design makes the HDCVI Dome camera ideal for small to mid-size businesses where aesthetics are important.

Functions

Smart IR

With IR illumination, detailed images can be captured in low light or total darkness. The camera's Smart IR technology adjusts to the intensity of camera's infrared LEDs to compensate for the distance of an object. Smart IR technology prevents IR LEDs from whiting out images as they come closer to the camera. The camera's integrated infrared illumination provides high performance in extreme low-light environments up to 30m (98ft).

Long Distance Transmission

The HDCVI Dome camera combines high definition resolution with the simplicity of coaxial infrastructure for an easy upgrade. HDCVI technology guarantees long-distance and real-time transmission without any loss of signal. It supports 1200m and 800m signal transmission for 720p and 1080p respectively via RG6 coaxial cable, and 800m and 500m for 720p and 1080p respectively via RG59 coaxial cable. With a CAT6 UTP cable, the transmission distance reaches up to 450m and 300m for 720p and 1080p respectively*.

*Actual results verified by real-scene testing in Dahua's test laboratory.

Simplicity

HDCVI blends high quality images, affordability, and ease of use by utilizing traditional analog technology. Dahua HDCVI cameras are designed to make installation easy for a seamless upgrade from traditional analog without replacing existing coaxial cabling. The plug and play approach enables full HD video surveillance without the hassle of configuring a network.

3DNR

3DNR technology detects and eliminates random noises by comparing the difference between frame and frame, making the image more quiet, clear and exquisite. Different from 2DNR, 3DNR hardly impacts sharpness and clarity while remarkably reducing the noise, especially under limited lighting condition.

3 Signals Over 1 Coaxial Cable

Dahua's patented HDCVI technology bridges the gap between low resolution analog and high definition IP for users who require higher quality video without upgrading to IP. HDCVI technology supports 3 signals (audio, video and data) to be transmitted simultaneously over 1 coaxial cable. The camera offers 1080p/720p high resolution video and communicates with HCVR through control signals.

Protection

Supporting $\pm 25\%$ input voltage tolerance, this camera suits even the most unstable conditions for outdoor applications. Its 4KV lightning rating provides protection against the camera and its structure from the effects of lightning.

Technical Specification

Camera

Image Sensor	1/2.7" CMOS
Effective Pixels	1928(H) × 1088(V), 2.1MP
Scanning System	Progressive
Electronic Shutter Speed	1/3s~1/300,000s
Minimum Illumination	0.03Lux/F1.4, 0Lux IR on
S/N Ratio	More than 65dB
IR Distance	IR distance Up to 30m (98ft)
IR On/Off Control	Auto
IR LEDs	2

Lens

Lens Type	Motorized lens / Fixed iris
Mount Type	Board-in
Focal Length	2.7mm ~ 12mm
Max Aperture	F1.4
Angle of View	99° ~ 37°
Focus Control	Motorized
Close Focus Distance	50mm ~ 270mm (1.97" ~ 10.63")

Pan / Tilt / Rotation

Pan/Tilt/Rotation	Pan: 0° ~ 355° Tilt: 0° ~ 75° Rotation: 0° ~ 355°
-------------------	---

Video

Resolution	1080p (1920 × 1080)
Frame Rate	30fps@1080p
Video Output	1-channel BNC HDCVI high definition video output & 1-channel BNC CVBS standard definition video output SD tester out
Day/Night	Auto (ICR)
BLC Mode	BLC
White Balance	AWB
Gain Control	AGC
Noise Reduction	2D/3D
WDR	120dB
Smart IR	Auto

Certifications

Certifications	FCC, UL
----------------	---------

Electrical

Power Supply	12V DC ±25%
Power Consumption	Max 5W (12V DC, IR on)

Environmental

Operating Conditions	-30°C ~ +60°C (-22°F ~ +140°F) / Less than 90% RH * Start up should be done at above -30°C (-22°F)
Storage Conditions	-30°C ~ +60°C (-22°F ~ +140°F) / Less than 90% RH
Ingress Protection & Vandal Resistance	IP67, IK10

Construction

Casing	Aluminium
Dimensions	Φ120.0mm × 88.9mm (Φ4.8" × 3.5")
Net Weight	0.45kg (0.99lb)
Gross Weight	0.6kg (1.32lb)

Ordering Information

Type	Part Number	Description
2.1MP Camera	DH-HAC-HDBW22A1RN-Z	2.1MP, 2.7mm ~ 12mm Lens, IP67, IK10, HDCVI WDR IR Dome Camera, NTSC
Accessories	PFA137	Junction Box (For use alone)
	PFB203W	Wall Mount (For use alone or with PFA152 pole mount)
	PFA152	Pole Mount (For use with PFA203W wall mount)
	PFB200C	In-ceiling Mount (For use with alone)

Accessories

Optional:



PFA137
Junction box



PFB203W
Wall mount

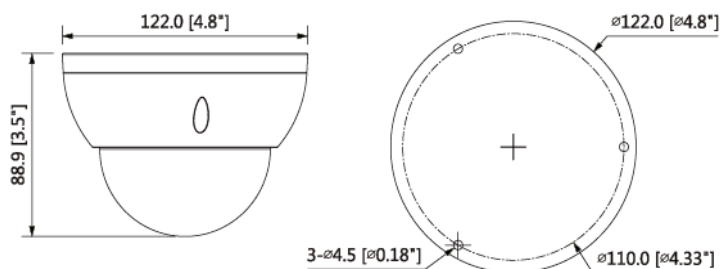


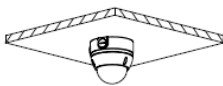

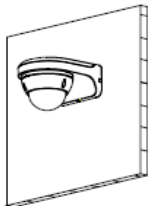
PFA152
Pole mount



PFB200C
In-ceiling mount

Dimensions (mm/inch)



Junction Mount	Pole Mount
PFA137	PFB203W+PFA152
	
Wall Mount	
PFB203W	
	In-ceiling Mount
	PFB200C
	