

Intercom Surface-mount Box

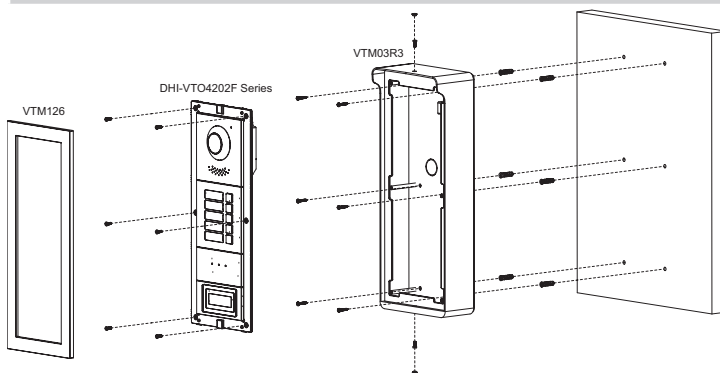
For a Three-module DHI-VTO4202F Series Modular Door Station



Technical Specification

Material	Steel
Color	Silver
Installation Method	Surface-mount
Dimensions (L x H x W)	145.0 mm x 361.40 mm x 59.70 mm (5.71 in. x 14.23 in. x 2.35 in.)
Ingress Protection	IP65 (silicone sealant required)
Net Weight	2.0 kg (4.41 lb)
Gross Weight	2.30 kg (5.07)
Compatibility	<ul style="list-style-type: none"> DHI-VTO4202F Series Modular Door Station (three-module system) VTM126 Intercom Front Panel Bezel

Installation



Dimensions (mm/in.)

