

HDCVI 2MP WDR Fixed Dome Camera

2MP WDR HDCVI IR Fixed Lens Dome Camera

HDCVI



- 120 dB True WDR, 3DNR
- Max. 30 fps @ 1080p
- HD and SD Dual-output
- 2.8 mm, 3.6 mm, or 6 mm Fixed Lens Options
- Max. IR Length 30 m (98 ft), Smart IR
- IP67, IK10, DC12V



System Overview

Experience the superior clarity of Full HD 1080p video while leveraging your existing coaxial infrastructure. The camera features 120 dB True WDR for applications under complex dynamic range and presents high quality images with clear details and accurate color rendition. The camera offers a multi-language on-screen display and HD and SD dual-output. The outstanding performance and easy installation make the camera an ideal choice for mid- to large-size businesses and for projects where highly reliable surveillance and construction flexibility are valued.

Functions

Four Signals over a Single Coaxial Cable

HDCVI technology simultaneously transmits four signals (audio, video, power, and data)¹ over a single coaxial cable. Dual-way data transmission allows the HDCVI camera to communicate with an HCVR to send control signals or to trigger alarms. Moreover, HDCVI technology supports PoC for construction flexibility.

Long Distance Transmission

HDCVI technology guarantees real-time transmission over long distances without loss of video quality. The camera supports transmission up to 800 m (0.50 miles) via coaxial cable, and up to 300 m (0.19 miles) via UTP cable.²

Simplicity

HDCVI technology seamlessly integrates traditional analog surveillance systems with upgraded, high-quality HD video, making it the best choice to protect security investments. The plug and play approach enables full HD video surveillance without the hassles of configuring a network.

Wide Dynamic Range

For applications with both bright and low lighting conditions that change quickly, True WDR (120 dB) optimizes both the bright and dark areas of a scene at the same time to provide usable video.

Advanced 3DNR

3DNR is noise reduction technology that detects and eliminates random noises by comparing two sequential frames. Dahua's advanced 3DNR technology allows remarkable noise reduction with little impact to sharpness, especially under limited lighting condition. Advanced 3DNR effectively decreases bandwidth and saves storage space.

Multi-outputs

The camera supports simultaneous HDCVI and CVBS signal outputs over two BNC connectors. The camera also features a second CVBS as a tester output to connect a local monitor to aid camera setup. These output signals allow the camera to integrate with various devices, including analog matrix systems and monitors.

Smart IR

With IR illumination, detailed images can be captured in low light or total darkness. The camera's Smart IR technology adjusts the intensity of camera's infrared LEDs to compensate the distance of an object. Smart IR technology prevents IR LEDs from whitening out images as they come closer to the camera. The camera's integrated infrared illumination provides high performance in extreme low-light environments up to 30 m (98 ft).

Protection

The camera's outstanding reliability is unsurpassed due to its rugged design. The camera is protected against water and dust with IP67, making it suitable for indoor or outdoor environments. The camera complies with IK10 impact resistant rating to provide maximum durability against vandals, making it capable of withstanding the equivalent of 55 kg (120 lbs) of force. Supporting $\pm 25\%$ input voltage tolerance, this camera suits even the most unstable power supply conditions. Its 4KV lightning rating provides protection against the camera and its structure from the effects of lightning.

1. Audio input is available for certain HDCVI cameras.

2. Actual results verified by real-scene testing in Dahua's test laboratory.

Technical Specification

Camera

Image Sensor	1/2.7-in. CMOS
Effective Pixels	1928(H) × 1088(V), 2.1 MP
Scanning System	Progressive
Electronic Shutter Speed	1 s to 1/30000 s
Minimum Illumination	0.03 Lux @ F2.0 0 Lux (IR on)
S/N Ratio	More than 65 dB
IR Distance	Up to 30 m (98 ft)
IR On/Off Control	Auto / Manual
IR LEDs	24

Lens

Lens Type	Fixed lens / Fixed iris
Mount Type	Board-in
Focal Length	2.8 mm, 3.6 mm, or 6 mm
Max Aperture	F2.0
Angle of View	H: 90° (115.6°/59.4°)
Close Focus Distance	500 mm, 800 mm, or 1800 mm (19.69 in., 31.50 in., or 70.87 in.)

Pan / Tilt / Rotation

Pan/Tilt/Rotation	Pan: 0° to 355° Tilt: 0° to 65° Rotation: 0° to 355°
-------------------	--

Video

Resolution	1080p (1920 × 1080)
Frame Rate	25/30 fps @ 1080p 25/30/50/60 fps @ 720p
Video Output	One (1) BNC HDCVI High-definition Channel and, One (1) BNC CVBS Channel, plus One (1) CVBS Tester Channel
Day/Night	Auto (ICR) / Manual
OSD Menu	Multi-language
BLC Mode	BLC / HLC / WDR
WDR	120 dB
Gain Control	AGC
Noise Reduction	2D / 3D
White Balance	Auto / Manual
Smart IR	Auto / Manual

Certifications

Certifications	CE (EN55032, EN55024, EN50130-4) FCC (CFR 47 FCC Part 15 Subpart B) ANSI C63.4-2014) UL (UL60950-1+CAN/CSA C22.2 No.60950-1)
----------------	---

Electrical

Power Supply	12V DC ±25%
Power Consumption	Max 5.5 W (12V DC, IR on)

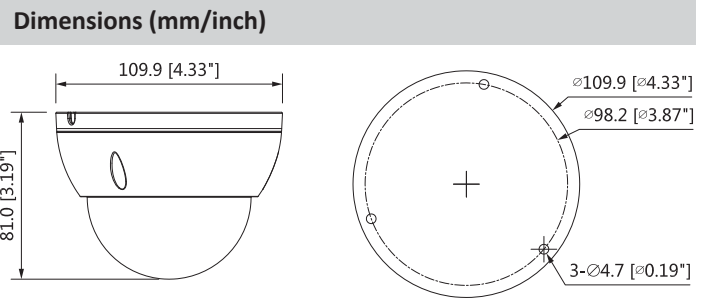
Environmental

Operating Conditions	-30°C to +60°C (-22°F to +140°F), Less than 90% RH Initiate start up above -30°C (-22°F)
Storage Conditions	-30°C to +60°C (-22°F to +140°F), Less than 90% RH
Ingress Protection	IP67
Vandal Resistance	IK10

Construction

Casing	Aluminium
Dimensions	Φ109.9 mm × 81.0 mm (Φ4.33 in. × 3.19 in.)
Net Weight	0.31 kg (0.68 lb)
Gross Weight	0.41 kg (0.90 lb)

Ordering Information		
Type	Part Number	Description
2MP Camera	DH-HAC-HDBW22A1EN	2MP WDR HDCVI IR Dome Camera, 2.8 mm, NTSC
	DH-HAC-HDBW22A1EN	2MP WDR HDCVI IR Dome Camera, 3.6 mm, NTSC
	DH-HAC-HDBW22A1EN	2MP WDR HDCVI IR Dome Camera, 6 mm, NTSC
Accessories	PFA136	Junction box (For use alone)
	PFB203W	Wall mount (For use alone or with PFA152 pole mount)
	PFA152	Pole mount (For use with PFB203W wall mount)



Accessories

Optional:



PFA136
Junction box



PFB203W
Wall mount



PFA152
Pole mount

Junction Mount	Pole Mount
PFA136	PFB203W + PFA152
Wall Mount	
PFB203W	