

FLIR MPX™ MULTI-FORMAT

C243EW2

Fixed WDR Eyeball Dome Camera



C243EW2
Fixed WDR Eyeball Dome Camera

The FLIR 2.1MP HD Fixed WDR Eyeball Dome Camera uses the latest MPX multi-format technology compatible with popular analog HD formats* to deliver excellent 1080p picture quality over coax cabling. Ideal for retrofit applications, the camera is compatible with a wide range of analog HD DVRs for maximum flexibility. True WDR capability up to 100dB ensures excellent image quality around-the-clock.

HIGH DEFINITION

High quality 1080p HD video over existing coax

- 2.1MP HD, 1080p @ 25/30 FPS, 1/2.9" CMOS, 2.8mm lens, 82ft / 25m IR

MULTI-FORMAT

Changing video output is made simple through the camera or recorder OSD

- Compatible with popular analog HD formats*
- Backwards compatible with Analog DVRs
- Dual BNC video output – MPX multi-format 1080p / 960H Analog

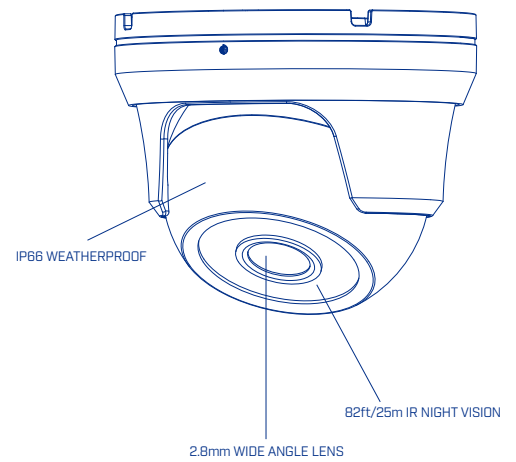
WEATHERPROOF

Installation in any outdoor conditions

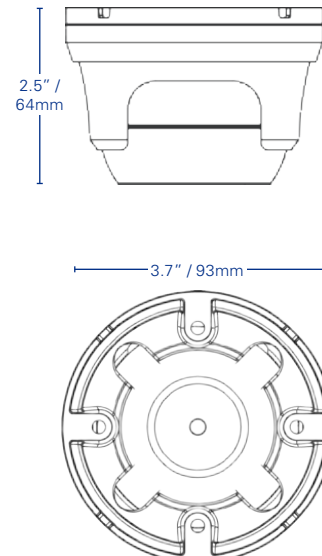
- +1000ft video cable runs supported
- IP66 weatherproof rated
- -22°F / -30°C Cold Climate Capable

Specifications

Camera		C243EW2
Imaging Device	2.1 MP HD Sony Exmor™ 1/2.9"	
Effective Pixels	1985(H) × 1105(V)	
Image Type	CMOS	
Image Readout	Progressive Scan	
Day / Night	Auto (ICR) / Color / B/W	
Mechanical IR Cut Filter	Yes	
Min. Illumination	0.1 lux @ F2.0 (Color) 0.01 lux @ F2.0 (B/W)	
S/N Ratio	≤50dB	
Horizontal Field of View	105° (H) field of view	
IR Illumination Distance	82ft (25m) IR Night Vision	
IR Wavelength	840~850nm	
IR On / Off Control	N	
Video Output	BNC (1080p Multi-format, Digital) BNC (960H, Analog)	
Electronic Shutter Range	1/30~1/60,000	
Optical		
Lens Type	Fixed	
Mount Type	Board Type	
Iris Type	Fixed Iris	
Iris Control Type	AIS	
Focal Length	2.8mm	
Aperture	F2.0	
Optical Zoom	N/A	
Focus	Fixed	
Video		
Frame rates (Maximum)	1080p @ 25/30fps	
Wide Dynamic Range	True WDR, User Adjustable	
Dynamic Range	Up to 100dB	
Backlight Compensation	BLC / HLC	
White Balance	Auto / ATW / Preset / Manual	
Gain Control	Adjustable	
Noise Reduction	3D DNR	
Smart IR	Yes, User Adjustable	
Digital Zoom	N	
Video Mirroring/Rotation	H Flip / V Flip / HV Flip	
Video Overlay	N	
Window Blanking (Privacy)	Up to 16 Areas	
Defog	On/Off	
Menu Languages	English, German, French, Spanish, Russian, Polish, Portuguese, Italian	
Mechanical		
Material	Aluminum Alloy	
Product Dimensions (Dia × H)	3.7" D × 2.5" H 93mm D × 64mm H	
Product Weight	0.9lbs / 0.4kg	



Dimensions



Specifications

Electrical	
Analog Video Out (service only)	Y
Power Input	12V DC
Power Consumption (maximum)	5.2W
Current Consumption (maximum)	430mA
Additional Features	
Built-in Heater	N/A
Audio I/O	N/A
Alarm I/O	N/A
Environmental	
Storage Temperature	-40°F ~ +140°F / -40°C ~ +60°C
Storage Humidity	Less than 95% RH
Operating Temperature	-22°F ~ +140°F / -30°C ~ +60°C
Operating Humidity	Less than 85% RH
Cold Start Temperature	-22°F / -30°C
Ingress Protection	IP66 Rated
Vandal Resistance	No
Certifications	
Certifications	CE / FCC / RohS