



ME343
2.1MP HD MPX Fixed Dome Camera

FLIR MPX™

HD MPX Fixed Dome Cameras

The FLIR 2.1MP HD Fixed Dome MPX camera uses the latest HDCVI technology to deliver excellent 1080p picture quality over coax cabling in any lighting condition. Ideal for retrofit applications, the camera is compatible with FLIR MPX DVRs offering an upgrade to HD resolution without the hassle of running new cables.

HD PICTURE QUALITY

MPX 1080p HD picture quality over existing coax

- ME343 – 2.1MP HD, 1080p @ 25/30 fps, 1/2.7" CMOS, 3.6mm lens, 70ft / 21m IR

EASY INSTALLATION

Upgrade to HD without the expense of re-cabling

- Compatible with FLIR MPX DVRs
- Wall / ceiling mountable
- Extend video up to 2000ft (610m) with a single run of RG6 coax

SUPERIOR PERFORMANCE

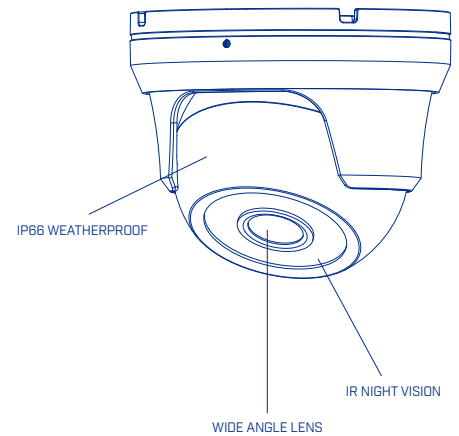
Advanced & intuitive features with rugged design

- IP66 weatherproof rated
- -22°F (-30°C) cold climate capable

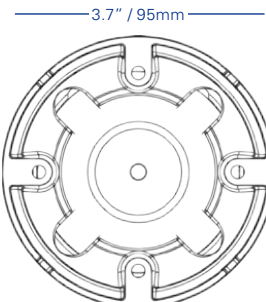
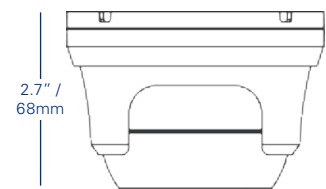
Sixth Sense®

Specifications

| Camera | | ME343 |
|--|------------------------------------|--------------|
| Imaging Device | 1/2.7" 2.1MP | |
| Effective Pixels | 1920 (H) x 1080 (V) | |
| Image Type | CMOS | |
| Image Readout | Progressive Scan | |
| Day/Night | Y | |
| Mechanical IR Cut Filter | Y | |
| Min. Illumination | 0.1 Lux @ F1.2 (Color) | |
| S/N Ratio | ≤41dB (AGC OFF) | |
| Horizontal Field of View | 80° | |
| IR Illumination Range | 70ft / 21m | |
| IR Wavelength | 840~850nm | |
| Video Output | Composite 1.0Vpp @ 75ohm | |
| Electronic Shutter Range | 1/30 (1/25) ~ 1/100,000 sec. | |
| Optical | | |
| Lens Type | Board Type | |
| Focal Length | 3.6mm | |
| F-Number | 2.0 | |
| Zoom | N | |
| Iris Control Type / Adjustment | Electronic / Auto or Manual | |
| Video | | |
| Frame rates | 25/30fps | |
| Backlight Compensation | BLC | |
| Wide Dynamic Range | Digital WDR | |
| White Balance | ATW / Manual | |
| Gain Control | AGC - 0-20 Selectable | |
| Noise Reduction | 2D-DNR, 0-15 Selectable | |
| Window Blanking | N | |
| Menu Languages | English, Spanish, Italian, Chinese | |
| Mechanical | | |
| Construction | Aluminum Alloy | |
| Product Dimensions (Diameter x Height) | 3.7 x 2.7" / 95 x 68mm | |
| Product Weight | 0.60lbs / 0.28kg | |
| Electrical | | |
| Power Input | 12V DC ±10% | |
| Power Consumption | 3.9W | |
| Current Consumption | 325mA MAX with IR LED | |
| Environment | | |
| Operating Temperature | -22° ~ 140°F / -30° ~ 60°C | |
| Operating Humidity | ≤85% RH | |
| Ingress Protection | IP66 | |
| Vandal Resistance | N | |
| Certifications | | |
| Certifications | FCC, CE, ROHS | |



Dimensions



Ordering Information

ME343: 8-41430-01633-5

Package Dimensions

ME343: 5.2 x 5.2 x 4.5" /
133 x 133 x 115mm

Equipment described herein may require US Government authorization for export purposes. Diversion contrary to US law is prohibited. Imagery for illustration purposes only. Specifications are subject to change without notice. ©2016 FLIR Systems, Inc. All rights reserved. (Created 09/27/16)

Sixth Sense®