

## Fixed IP Dome Cameras



N243EW2 / N243EW4  
Fixed IP Dome Camera

Available in 2.1MP HD & 4MP QUAD HD configurations, the FLIR WDR Fixed Dome IP cameras offer exceptional performance, providing brilliant image clarity and an incredible level of detail in recordings. True WDR capability up to 100dB ensures excellent image quality around-the-clock. Suitable for both indoor and outdoor installations (IP66 rated) and cold climates (-22°F/-30°C).

### HD PICTURE QUALITY

*Outstanding image detail, day & night*

- N243EW2 – 2.1MP HD @ 25/30fps, 1/2.7" CMOS, 3.6mm fixed lens, 91° (H), 80ft/24m IR Range
- N243EW4 – 4MP Quad HD @ 20fps, 1/3" CMOS, 2.8mm fixed lens, 100°(H), 90ft/27m IR Range
- True Wide Dynamic Range (up to 100dB)

### ADVANCED FEATURES

*Intelligent compression optimizes video based on available bandwidth*

- H.264 / MJPEG triple stream support
- Hallway Mode
- 4-Zone Region of Interest

### RUGGED DESIGN

*Durable weatherproof housing*

- Tamper detection
- IP66 weatherproof-rated
- Cold climate capability (-22°F/-30°C)

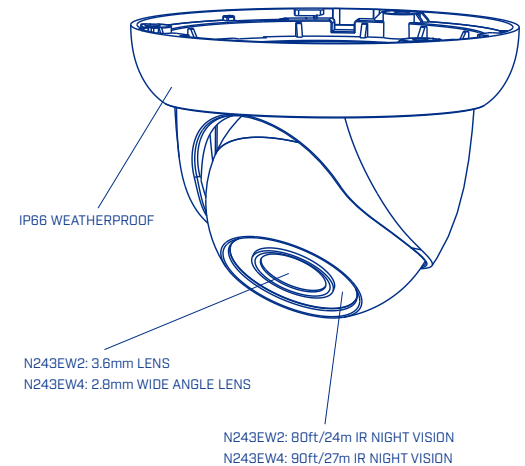


## Specifications

Camera	N243EW2	N243EW4
Imaging Device	HD 2.1MP, 1/2.7"	QUAD HD 4MP, 1/3"
Effective Pixels	1928 (H) x 1088 (V)	2688(H) x 1520(V)
Image Type	CMOS	
Image Readout	Progressive Scan	
Day / Night	Auto (ICR) / Color / B/W	
Mechanical IR Cut Filter	Yes	
Min. Illumination	0.1lux @ F2.0 (Color) 0.01lux @ F2.0 (B/W)	0.3lux @ F2.0 (Color) 0.05lux @ F2.0 (B/W)
S/N Ratio	≥56dB	≥58dB
Field of View	91° (H) field of view	100° (H) field of view
IR Illumination	80ft/24m IR Night Vision	90ft (27m) IR Night Vision
IR On / Off Control	Yes	
Video Output	RJ45	
Electronic Shutter Range	1~1/30,000s	1/3(4)~1/100,000s
<b>Optical</b>		
Lens Type	Fixed	
Mount Type	Board Type	
Iris Type	Fixed Iris	
Focal Length	3.6mm lens	2.8mm lens
Aperture	F2.0	
Optical Zoom	N/A	
Focus	Fixed	
Iris Control Type	AIS	
<b>Video</b>		
Video Compression	H.264 / MJPEG / Ready for Super H.264™ advanced Compression	
Video Streams	H.264 / MJPEG Triple Stream	
Resolution Selection	1080P(1920x1080) / SXGA(1280x1024) / 1.3MP(1280x960) / 720P(1280x720) / D1(704x576 / 704x480)	4MP(2688 x 1520) / 3.7MP(2560x1440) / 3MP(2304x1296) / 1080P(1920x1080) / 1.3MP(1280x960) / 720P(1280x720)
Aspect Ratio	16:9 (excl. SXGA @ 5:4 / 1.3MP @ 4:3)	
Frame rates (Maximum)	1080p / 720p @ 25/30fps	4MP @ 20fps / 3MP/1080p/720p @ up to 25/30fps
Bit Rate Control	CBR / VBR (w/Cap)	
Bit Rate Selection	Main Stream H.264 – 1,792 Kbps ~ 10,240Kbps / Custom	
Quality Setting Range (default)	1-6 (4)	
Region of Interest (selectable areas)	Yes (4)	
Wide Dynamic Range	True WDR, User Adjustable	
Dynamic Range	Up to 100dB	
Backlight Compensation	BLC / HLC	
White Balance	Auto / Manual	
Gain Control	Auto / Manual	
Noise Reduction	3D Advanced	
Smart IR	Yes, User Adjustable	
Digital Zoom	Up to 10x	
Tamper Detection	Yes	
Video Mirroring/Rotation	Horizontal Mirror / 90° / 180° / 270° / Hallway Mode	
Video Overlay	Channel / Time / Picture / Custom Text	
Window Blanking (Privacy)	Up to 4 Areas	
Menu Languages	English	
<b>Network</b>		
Protocols	IPv4/IPv6, HTTP, HTTPS, SSL, TCP/IP, UDP, UPnP, ICMP, IGMP, SNMP, RTSP, RTP, SMTP, NTP, DHCP, DNS, PPPOE, DDNS, FTP, IP Filter, QoS, Bonjour	
ONVIF Conformance	ONVIF Profile S	
RTSP Video	Standard RFC2326, Support QuickTime/VLC Player. User Security Authentication (Enabled/Disabled)	
Users	20 Users	

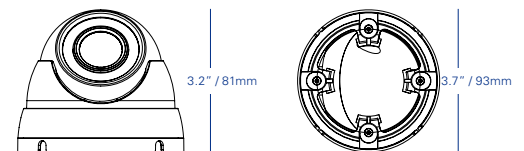
## Specifications

Mechanical	N243EW2	N243EW4
Material	Aluminum Alloy	
Product Dimensions (D x H)	3.7 x 3.2" / 93 x 81mm	
Product Weight	0.93lb / 0.42kg	
Electrical		
Network Port	RJ45 (10/100 Base-T)	
Analog Video Out (service only)	No	
Power Input	12V/PoE (802.3af)	
Power over Ethernet Type	PoE (802.3af)	
Power Consumption (maximum)	5W	
Current Consumption (maximum)	420mA	
Additional Features		
Edge Storage	N/A	
Built-in Heater	N/A	
Audio I/O	N/A	
Encoding	N/A	
Alarm I/O	N/A	
Environmental		
Storage Temperature	-40°F ~ +140°F / -40°C ~ +60°C	
Storage Humidity	Less than 95% RH	
Operating Temperature	-22°F ~ +140°F / -30°C ~ +60°C	
Operating Humidity	Less than 95% RH	
Cold Start Temperature	-22°F / -30°C	
Ingress Protection	IP66 Rated	
Vandal Resistance	No	
Certifications		
Certifications	CE / FCC	



## Dimensions

N243EW2 / N243EW4



## Ordering Information

N243EW2: 8-41430-01371-6

N243EW4: 8-41430-01388-4

## Package Dimensions

5.39" W x 5.4" D x 4.53" H /  
137mm W x 138mm D x 115mm H

## Available Accessories:

N243EW2 / N243EW4:

Junction Box (S1JF2G or S4JF1G)

Wall Mount (S1WA1G)

Pole Mount (S4PA2G + S1WA1G or S4PA2G + S1JF2G)

## MARKHAM, ONTARIO

FLIR Systems, Inc.  
250 Royal Crest Court  
Markham, ON L3R 3S1  
Canada  
PH: +1 866.344.4674

[www.flir.com/security](http://www.flir.com/security)  
NASDAQ: FLIR

## PORTLAND

Corporate Headquarters  
FLIR Systems, Inc.  
27700 SW Parkway Ave.  
Wilsonville, OR 97070  
USA  
PH: +1 866.477.3687

Equipment described herein may require US Government authorization for export purposes. Diversion contrary to US law is prohibited. Imagery for illustration purposes only. Specifications are subject to change without notice. ©2017 FLIR Systems, Inc. All rights reserved. (Created 01/31/17)