



N247B3
Motorized Bullet Camera



N247V3
Motorized Dome Camera

FLIR IP™

Motorized Bullet & Dome Cameras

The N247 Series of FLIR Motorized IP Cameras offer HD picture quality with outstanding night vision capabilities. Installation is simplified with integrated PoE and remote zoom and focus adjustment, allowing for single cable installation. Built with a durable weatherproof housing, these IP Cameras are suitable for both indoor and outdoor installations and cold climates.

HD PICTURE QUALITY

Outstanding image detail, both day and night

- 3MP HD @ 20fps / 2MP HD @ 25/30fps, 1/3" CMOS, 2.7~12mm motorized varifocal lens, 90ft /27m IR

EASY INSTALLATION

PoE (Class 3) support for simplified cabling

- Onvif Profile S conformance
- Remote zoom and focus adjustment

RUGGED DESIGN

Durable housing

- IP66 weatherproof rated / IK10 rated (N247V3 only)
- Cold climate capable (-22°F/-30°C)
- 12V DC / PoE (802.3af) operation



Specifications

Camera	N247B3	N247V3
Imaging Device	3 MP, 1/3-inch	
Effective Pixels	2048 x 1536	
Image Type	CMOS	
Image Readout	Progressive Scan	
Day / Night	Auto/Color/B/W	
Mechanical IR Cut Filter	Yes	
Min. Illumination	0.01lux @ 40IRE F1.4 (B/W)	
	0.1lux @ 40IRE F1.4 (Color)	
S/N Ratio	≥56dB	
Field of View (H)	29°~90°	
IR Illumination	90ft/27m, 850nm	
IR On / Off Control	Yes	
Video Output	RJ45	
Electronic Shutter Range	1/3(4)s - 1/30,000s	
Optical		
Lens Type	Motorized varifocal	
Mount Type	Board type	
Iris Type	Fixed Iris	
Focal Length	2.7mm - 12mm	
Aperture	F1.4	
Optical Zoom	4.4x	
Focus	Auto	
Iris Control Type	Electronic	
Video		
Video Compression	H.264 / MJPEG	
Video Streams	H.264H & MJPEG Triple Stream encoding	
Resolution Selection	3M(2304x1296)(2048x1536)/ 1080P(1920x1080)/1.3M(1280x960)/ 720P(1280x720)/D1(704x576/704x480)/ CIF(352x288/352x240)	
Aspect Ratio	4 : 3	
Frame rates (Maximum)	3M@20fps/1080P/720P@ 25/30fps	
Bit Rate Control	CBR / VBR with cap	
Bit Rate Selection	H.264: 24K~ 10Mbps MJPEG: 400K ~ 25Mbps	
Wide Dynamic Range	Digital WDR	
Backlight Compensation	BLC / HLC	
White Balance	Auto / Manual	
Gain Control	Auto / Manual	
Noise Reduction	3D Advanced	
Smart IR	Yes	
Image Stabilization	No	
Digital Zoom	10X	
Tamper Detection	Yes	
Adaptive Lens Correction (ALC)	No	
Video Mirroring/Rotation	Horizontal Mirror /Vertical Flip	
Video Overlay	Time / Date / Camera / Custom	
Window Blanking (Privacy)	Up to 4 Areas	
Menu Languages	English	
Network		
Protocols	IPv4/IPv6, HTTP, HTTPS, SSL, TCP/IP, UDP, UPnP, ICMP, IGMP, SNMP, RTSP, RTP, SMTP, NTP, DHCP, DNS, PPPOE, DDNS, FTP, IP Filter, QoS, Bonjour	
ONVIF Conformance	ONVIF Profile S	
RTSP Video	Standard RFC2326, Supports QuickTime/VLC Player. User Security Authentication (Enabled/Disabled)	
Users	Up to 20 users	

Specifications

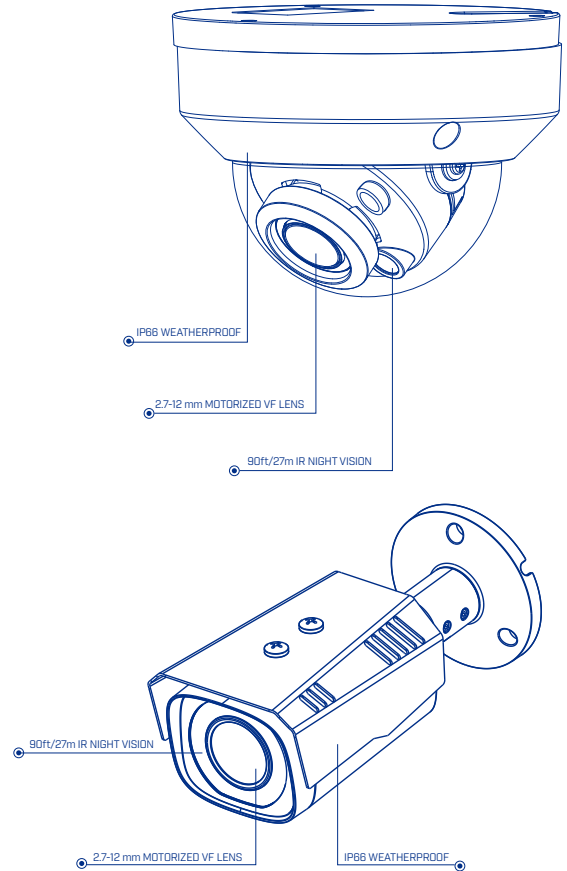
Mechanical	N247B3	N247V3
Input/Output	No	
Product Dimensions (D x H)	8.5" x 3.6" x 3.1" 215*92*80mm	3.5" x 4.8" 89*122mm
Product Weight	1.7lbs / 0.8kg	0.9lbs / 0.4kg
Electrical		
Network Port	RJ45 (10/100 Base-T)	
Analog Video Out (service only)	No	
Power Input	12V DC	
Power over Ethernet Type (PoE)	802.3af	
Power Consumption (Maximum)	N247B3 - 5W N247V3 - 5W	
Current Consumption (Maximum)	N247B3 - 420mA N247V3 - 420mA	
Edge Storage	No	
Built-in Heater	No	
Alarm I/O	No	
Environmental		
Storage Temperature	-30°C ~ +60°C	
Storage Humidity	Less than 95% RH	
Operating Temperature	-22°F ~ 140°F / -30°C ~ 60°C	
Operating Humidity	Less than 95% RH	
Cold Start Temperature	-30°C	
Ingress Protection	IP66	
Vandal Resistance	IK10 Rated (N247V3 only)	

Ordering Information

N247B3: 8-41430-01372-3
N247V3: 8-41430-01373-0

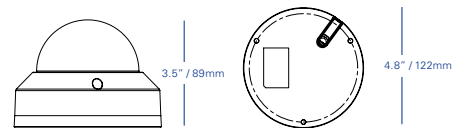
Package Dimensions

9.8 x 5.3 x 4.3" / 250 x 135 x 110mm
6.1 x 6.1 x 5.3" / 155 x 155 x 135mm



Dimensions

N247V3



N247B3

