

FLIR IP™

N253B8

4K Ultra HD Bullet Camera



N253B8
4K Ultra HD Bullet Camera

The FLIR 4K Ultra HD Fixed Bullet IP camera offers exceptional performance with 4K Ultra HD resolution, providing excellent image clarity and an incredible level of detail in recordings. H.265 delivers improved compression efficiency for significant hard drive space savings. The camera also supports edge storage for recording flexibility.

4K HD PICTURE QUALITY

4K Ultra HD (8MP 3840x2160) resolution provides the highest standard in image clarity and detail for evidence collection

- Ultra HD 4K (8MP) @ 15fps, 4MP @ 25fps / 3MP/1080p/720p @ up to 25/30fps
- 4mm lens provides 88° Field of View
- Long range IR Nightvision up to 100ft/31m

ADVANCED FEATURES

H.265 compression coupled with Region of Interest (ROI) optimizes video performance based on available bandwidth

- Advanced H.265 & Super H.264™ compression technology
- Edge storage support (MicroSD card) – up to 128GB
- 4-Zone Region of Interest

RUGGED DESIGN

Durable weatherproof housing

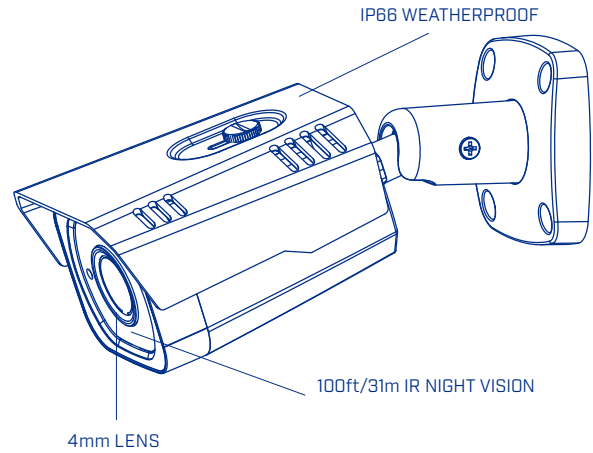
- Tamper detection
- IP66 weatherproof-rated
- -22°F/-30°C Cold Climate capable



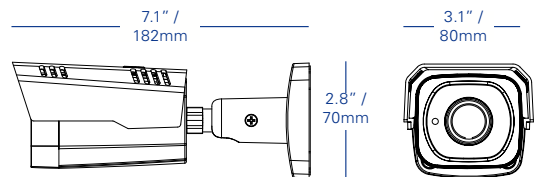
Specifications

Camera		N253B8	
Imaging Device		Ultra HD 4K (8MP), 1/2.5"	
Effective Pixels		3840(H) x 2160(V)	
Image Type		CMOS	
Image Readout		Progressive Scan	
Day/Night		Auto (ICR) / Color / B/W	
Mechanical IR Cut Filter		Yes	
Min. Illumination		0.7lux @ F2.5 (Color) 0.2lux @ F2.5 (B/W)	
S/N Ratio		≥42dB	
Field of View (H)		88°	
IR Illumination		100ft/31m, 850nm	
IR ON/OFF Control		Yes	
Video Output		RJ45	
Electronic Shutter Range		1/3(4)s ~ 1/100,000s	
Optical			
Lens Type		Fixed	
Mount Type		Board Type	
Iris Type		Fixed	
Iris Control Type		Auto	
Focal Length		4mm	
Aperture		F1.6	
Optical Zoom		N/A	
Focus		Fixed	
Video			
Video Compression		H.265 / Super H.264™ / H.264 / MJPEG	
Video Streams		H.265 / H.264 / MJPEG Triple Stream	
Resolution Selection		4K (3840x2160) / 6.3MP (3072x2048) / 5.3MP (3072x1728) / 5MP (2592x1944) / 4MP (2688x1520) / 3.7MP (2560x1440) / 3MP (2304x1296) / 1080p (1920x1080) / SXGA (1280x1024) / 1.3MP (1280x960) / 720p (1280x720)	
Aspect Ratio		16:9 / 4:3 (select non 4K resolutions)	
Frame Rates (Maximum)		4K (8MP) @ 15fps / 4MP/3MP/1080p/720p @ up to 25/30fps	
Bit Rate Control		CBR / VBR (w/Cap)	
Bit Rate Selection		H.265: 1280K ~ 7424Kbps H.264: 2304K ~ 10240Kbps	
Quality Setting Range (default)		1-6 (6)	
Region of Interest (Selectable areas)		Yes (4)	
Wide Dynamic Range		Digital WDR	
Dynamic Range		N/A	
Backlight Compensation		BLC / HLC	
White Balance		Auto / Manual	
Gain Control		Auto / Manual	
Noise Reduction		3D Advanced	
Smart IR		Yes, User Adjustable	
Digital Zoom		Up to 10x	
Tamper Detection		Yes	
Video Mirroring / Rotation		Horizontal Mirror / 90° / 180° / 270°	
Video Overlay		Channel / Time / Picture / Custom Text	
Window Blanking (Privacy)		Up to 4 Areas	
Menu Languages		English	
Network			
Protocols		IPv4/IPv6, HTTP, HTTPS, SSL, TCP/IP, UDP, UPnP, ICMP, IGMP, SNMP, RTSP, RTP, SMTP, NTP, DHCP, DNS, PPPoE, DDNS, FTP, IP Filter, QoS, Bonjour	
ONVIF Conformance		ONVIF Profile S / G	
RTSP Video		Standard RFC2326, Support QuickTime/VLC Player. User Security Authentication (Enabled/Disabled)	
Users		20 Users	
Mechanical			
Material		Aluminum Alloy	
Product Dimensions (W x D x H)		7.1" W x 3.1" D x 2.8" H 182mm W x 80mm D x 70mm H	
Product Weight		0.9 lbs / 0.4 kg	

Electrical		N253B8	
Network Port		RJ45 (10/100 Base-T)	
Analog Video Out (service only)		N/A	
Power Input		12V DC	
Power over Ethernet Type		PoE (802.3af)	
Power Consumption (maximum)		6.2W	
Current Consumption (maximum)		520mA	
Additional Features			
Edge Storage		Yes / microSD Type (128GB max.)	
Built-in Heater		N/A	
Audio I/O		N/A	
Encoding		N/A	
Alarm I/O		N/A	
Environmental			
Storage Temperature		-22°F ~ +140°F / -30°C ~ +60°C	
Storage Humidity		Less than 95% RH	
Operating Temperature		-22°F ~ +140°F / -30°C ~ +60°C	
Operating Humidity		Less than 95% RH	
Cold Start Temperature		-22°F / -30°C	
Ingress Protection		IP66 Rated	
Vandal Resistance		None	
Certifications			
Certifications		CE / FCC	



Dimensions



Available Accessories:

N253B8	S1JF2G
Junction Box	S1RA2G + S1JF2G
Corner Mount	S4PA2G + S1JF2G
Pole Mount	

Ordering Information

N253B8: 8-41430-01800-1

Package Dimensions

8.1" W x 3.7" D x 3.5" H
2068mm W x 94mm D x 89mm H

tio
Irig