



PE133E/P
3MP HD IP Eyeball Dome Camera

FLIR IP™

3MP FIXED HD IP EYEBALL

The **FLIR 3MP HD IP Eyeball dome** offer exceptional 3MP (2048x1536) resolution for an incredible level of detail. Installation is made simple with integrated PoE, allowing for single cable installation. Weatherproof IP66 rated housing and IR night vision make this camera suitable for almost any application.

HD PICTURE QUALITY

Outstanding image detail, both day and night

- **PE133E/P** – 3MP HD @ 25fps, 1/3" CMOS, 2.8mm lens, 75ft (23m) IR range

EASY INSTALLATION

PoE (Class 3) support for simplified cabling

- 12V DC / PoE (802.3af) operation
- Tamper detection
- ONVIF Profile S conformance

SUPERIOR PERFORMANCE

Rugged construction for all weather conditions

- Cold climate capability (-22°F / -30°C)
- IP66 weatherproof rating
- Simple wall / ceiling installation

FLIR CLOUD™ REMOTE VIEWING

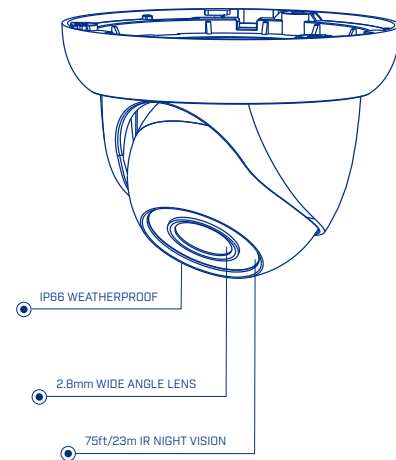
Remote access via iOS, Android, PC & Mac when connected to a FLIR NVR

- Centralized viewing and control of up to 64 cameras on each screen with PC & Mac
- Access live or recorded video at any time on your iPad, iPhone or Android device
- Advanced mobile app features including remote playback, push notifications for motion/alarm, E-map, manual record/snapshot to device



Specifications

Camera		PE133E/P
Image Sensor	1/3" 3MP	
Video Format	NTSC / PAL	
Effective Pixels	H: 2304 × V: 1536	
Image Type	CMOS	
Image Readout	Progressive Scan	
Day/Night	Auto (ICR) / Color / B/W	
Day/Night Delay Adjustment	Yes	
Mechanical IR Filter	Yes	
Min. Illumination	0.7 lux @ F2.2 (Color), 0.4 lux @ F2.2 (B/W)	
S/N Ratio	≥56dB (AGC OFF)	
Horizontal Field of View	75°	
IR Illumination Range	75ft / 23m	
IR Wavelength	850nm	
IR ON/OFF Control	Yes	
Video Output	IP	
Electronic Shutter Range	1/3 (1/4) ~ 1/100,000 seconds	
Optical		
Lens Type	Fixed Lens	
Lens Mount	Board Type	
Iris Type	Fixed Iris	
Focal Length	2.8mm	
F-Number	F2.0	
Focus	Fixed	
Video		
Video Compression	H.264 / MJPEG	
Video Streams	H.264 / MJPEG Dual Stream	
Resolution Selection	3MP (2048×1536) / 1080p (1920×1080) / 720p (1280×720) / D1 (704×576/704×480) / CIF (352×288/352×240)	
Aspect Ratio	4:3	
Frame Rates (MAX)	3MP @ 25fps / 1080p/720p @ 25/30fps	
Bit Rate Control	CBR / VBR	
Bit Rate Selection	H.264: 16K ~ 8Mbps	
Quality Setting Range (Default)	1-6 (6)	
Region of Interest	No	
Dynamic Range	Up to 55dB	
Wide Dynamic Range	D-WDR	
Backlight Compensation	BLC / HLC	
White Balance	Auto / Manual	
Gain Control	Auto / Manual	
Noise Reduction	3D-DNR	
Smart IR	Yes, User Adjustable	
Image Stabilization	No	
Digital Zoom	10×	
Tamper Protection	Yes	
Adaptive Lens Correction (ALC)	No	
Video Mirroring / Rotation	Horizontal Mirror / Vertical Flip	
Video Overlay	Time / Date / Camera / Custom	
Window Blanking (Privacy)	Up to 4 Areas	
Menu Languages	English	



Specifications

Network		PE133E/P
Protocols	IPv4/IPv6, HTTP, TCP/IP, ARP, UDP, UPnP, RTSP, RTP, SMTP, NTP, DHCP, DNS, DDNS, FTP, QoS	
ONVIF Conformance	Profile S	
RTSP Video	Standard RFC2326, Support QuickTime / VLC Player	
Unicast Users	Up to 10	
Multicast Users	Up to 30	
Mechanical		
Construction	Aluminum Alloy	
Product Dimensions (W x H x D)	3.8 x 2.8" 95 x 51mm	
Product Weight	0.30kg / 0.65lbs	
Electrical		
Network Port	RJ45, 10/100 Base-T	
Power Input	12V DC	
Power over Ethernet (PoE) Type	PoE (802.3af)	
Power Consumption	2.8W MAX	
Current Consumption	230mA MAX	
Edge Storage	No	
Built-in Heater	No	
Alarm I/O	No	
Environmental		
Storage Temperature	-40° ~ 140°F / -40° ~ 60°C	
Storage Humidity	>95% RH	
Operating Temperature	-22° ~ 140°F / -30° ~ 60°C	
Operating Humidity	>95% RH	
Cold Start Temperature	-22°F / -30°C	
Ingress Protection	IP66	
Certifications		
Certifications	CE / FCC	

