



IR Megapixel WiFi Fixed Mini-Bullet Camera

DH-IPC-HFW11A0SN-W, DH-IPC-HFW13A0SN-W

Quick Start Guide

Version 1.0.1

Dahua Technology USA Inc.

Table of Contents

1	Welcome	1
1.1	Important Safeguards and Warnings	1
	Electrical safety	1
	Environmental Precautions	2
	Operation and Daily Maintenance	3
	Warnings	3
1.2	FCC Information	4
	FCC Compliance	4
1.3	Legal Notices	4
	Copyright	4
	Trademarks	4
1.4	Disclaimer	4
2	Unpacking	5
3	Camera Configuration	6
3.1	Camera and Cables	6
3.2	Camera Control and Indicators	7
3.3	Status Indicators	8
3.4	Framework and Dimensions	8
4	Wi-Fi Configuration	9
5	Device Installation	11

1 Welcome

This manual offers reference material and general information about the basic operation, maintenance, and troubleshooting of the Dahua Multi-Sensor Panoramic Camera. Read, follow, and retain the following safety instructions. Heed all warning on the unit and in the operating instructions before operating the unit. Keep this guide for future reference.

1.1 Important Safeguards and Warnings

Electrical safety

- Install the unit in accordance with the manufacturer's instructions and in accordance with applicable local codes.
- All installation and operation must conform to your local electrical safety codes.
- Do not overload outlets and extension cords, which may cause fire or electrical shock.
- Do not place the camera near or in a place where the camera may contact overhead power lines, power circuits, or electrical lights.
- Ensure power conforms to SELV (Safety Extra Low Voltage) and that the limited power source is rated AC 24V as specified in IEC60950-1. (Power supply requirement is subject to the device label).
- All input/output ports are SELV circuits. Ensure that SELV circuits are connected only to other SELV circuits.
- Ground the unit using the ground connection of the power supply to protect the unit from damage, especially in damp environments.
- Protect the plug and power cord from foot traffic, being pinched, and its exit from the unit.
- Units with or without an ON/OFF switch have power supplied to the unit whenever the power cord is inserted into the power source; however, the unit is operational only when the ON/OFF switch is in the ON position. The power cord is the main power disconnect device for switching off the voltage for all units.
- Operate the unit only from the type of power source indicated on the label. Before proceeding, disconnect the power from the cable to be installed into the unit.
 - For external power supplied units, use only the recommended or approved power supplies.
 - Limited power sources must comply with EN 60950. Substitutions may damage the unit or cause fire or shock.
 - For 24 VAC units, voltage applied to the unit's input power should not exceed $\pm 25\%$. User-supplied wiring must comply with local codes (Class 2 power levels). Do not ground the supply at the terminals or at the unit's power supply terminal.
 - Contact the local dealer or the power company to verify the correct power supply.
- Do not supply power via the Ethernet connection (PoE) when power is already supplied via the power connector.
- Do not attempt to service the unit. Opening or removing covers may expose you to dangerous voltage or other hazards. Refer all servicing to qualified personnel.

- If the unit is damaged and requires service, unplug the unit from the main AC power supply and from the PoE supply and refer to qualified service personnel. Damage may include, but is not limited to:
 - The power supply cord or plug is damaged.
 - Liquid has spilled in or on the unit.
 - An object has fallen on the unit.
 - The unit has been dropped and the housing is damaged.
 - The unit displays a marked change in performance.
 - The unit does not operate in the expected manner when the user correctly follows the proper operating procedures.
- Ensure a service technician uses replacement parts specified by the manufacturer, or that have the same characteristics as the original parts. Unauthorized parts may cause fire, electrical shock, or other hazards. Dahua is not liable for any damage or harm caused by unauthorized modifications or repairs.
- Perform safety checks after completion of service or repairs to the unit.
- Use attachments and accessories only specified by the manufacturer. Any change or modification of the equipment, not expressly approved by Dahua, could void the warranty.
- Incorporate a readily accessible disconnect device in the building installation wiring for quick power disconnect to the camera.
- Dahua assumes no liability or responsibility for any fire or electrical shock caused by improper handling or installation.

Environmental Precautions

- Do not aim the unit at a strong light source or into direct sunlight to focus. A strong light source may cause overexposure and may affect the longevity of the CCD or the CMOS sensor.
- Transport, use, and store the unit within the specified temperature and humidity range.
- Do not place the unit in a wet, dusty, extremely hot or an extremely cold environment; and avoid environments with strong electromagnetic radiation or unstable lighting.
- Never push objects of any kind into this unit through openings as they may touch dangerous voltage points or cause a short circuit that may result in fire or electrical shock. Take care to not spill any liquid on the unit.
- Do not use units intended for indoor applications near water, in damp or wet environments, or in any area classified as a wet location. Do not expose an indoor unit to rain or moisture to reduce the risk of fire or electric shock.
- Do not block or cover any openings in the unit enclosure. These openings are provided for ventilation to prevent overheating and to ensure reliable operation. Ensure the unit is placed in an area with adequate ventilation.
- Do not place the unit near a heat source such as heaters, stoves, radiators or other equipment that produces heat.
- Pack the unit with standard factory packaging or material of the same quality when transporting the unit.
- Take care to avoid heavy stress, violent vibration, or water spills to the camera unit during transportation, storage, and installation.

Operation and Daily Maintenance

- Do not touch the heat dissipation component of the unit. This part of the unit is hot and may cause a burn.
- Do not open or dismantle the device; there are no components that a user can fix or replace. Opening the unit may cause water leakage or expose components to direct light. Contact the manufacturer or a qualified service representative to service the camera or to replace a component, including the desiccant.
- Dahua recommends the use of a thunder-proof device in concert with the unit.
- Do not touch the CCD or the CMOS optic sensor. Use a blower to clean dust or dirt on the lens surface. Use a dry cloth dampened with alcohol and gently wipe away any dust on the lens.
- Use a dry soft cloth to clean the unit's housing. If the unit is particularly dusty, use water to dilute a mild detergent, apply the diluted detergent to a soft cloth, then gently clean the device. Finally, use a dry cloth to wipe the unit dry. Do not use a volatile solvent like alcohol, benzene, or thinner; or use a strong detergent with abrasives, which may damage the surface coating or reduce the working performance of the unit.
- Do not touch or wipe a dome cover during installation, this cover is an optical device. Refer to the following methods clean the dome cover:
 - Stained with dirt: Use an oil-free soft brush or blower to gently remove the dirt.
 - Stained with grease or fingerprints: Use a soft cloth to wipe gently the water droplet or the oil from the dome cover. Then, use an oil-free cotton cloth or paper soaked with alcohol or detergent to clean the lens from the center of the dome to outside. Change the cloth several times to ensure the dome cover is clean.

Warnings

- Change the default password after the initial login to protect the integrity of the network.
- Use the standard accessories provided by the manufacturer and ensure the unit is installed and commissioned by qualified professionals.
- Protect the lens area from laser radiation when using a laser device to aid in installation and leveling of the unit.
- Do not supply power via the Ethernet connection (PoE) when power is already supplied via the power connector.

1.2 FCC Information

This device complies with part 15 of the FCC Rules. Operation is subject to the following two conditions:

- This device may not cause harmful interference;
- This device must accept any interference received, including interference that may cause undesired operation.

FCC Compliance

This equipment has been tested and found to comply with the limits for a digital device, pursuant to part 15 of the FCC Rules. These limits are designed to provide reasonable protection against harmful interference. This equipment generates uses and can radiate radio frequency energy and, if not installed and used in accordance with the instruction manual, may cause harmful interference to radio communication. However, there is no guarantee that interference will not occur in a particular installation. If this equipment does cause harmful interference to radio or television reception, which can be determined by turning the equipment off and on, the user is encouraged to try to correct the interference by one or more of the following measures:

- Reorient or relocate the receiving antenna.
- Increase the separation between the equipment and receiver.
- Connect the equipment into an outlet on a circuit different from that to which the receiver is connected.
- Consult the dealer or an experienced radio/TV technician for help.

1.3 Legal Notices

Copyright

This user guide is ©2016, Dahua Technology Company, LTD.

This user guide is the intellectual property of Dahua Technology Company, LTD and is protected by copyright. All rights reserved.

Trademarks

All hardware and software product names used in this document are likely to be registered trademarks and must be treated accordingly.

1.4 Disclaimer

- This user guide has been compiled with great care and the information it contains has been thoroughly reviewed and verified. The text was complete and correct at the time of printing. This guide may be periodically updated to reflect changes to the product or to correct previous information and the content of this guide can change without notice. If you encounter an error or have any questions regarding the contents of this guide, contact customer service for the latest documentation and supplementary information. Dahua accepts no liability for damage resulting directly or indirectly from faults, incompleteness, or discrepancies between this guide and the product described. Dahua is not liable for any loss caused by installation, operation, or maintenance inconsistent with the information in this guide.
- Video loss is inherent to all digital surveillance and recording devices; therefore Dahua cannot be held liable for any damage that results from missing video information. To minimize the occurrence of lost digital information, Dahua recommends multiple, redundant recording systems, and adoption of backup procedure for all data.
- Contact the supplier or customer service if you encounter any issue while using this unit.

2 Unpacking

This equipment should be unpacked and handled with care. If an item appears to have sustained damage during shipping, notify the shipper immediately.

Verify that all the parts listed below are included. If an item is missing, contact customer support or your local representative.

The original packing carton is the safest container to transport the unit, in the event the unit must be returned for service. Retain the carton and all shipping material for future use.

Please refer to the enclosed CD for more details, to view the detailed User's Manual, and for configuration software.

Package Item	Quantity
Wi-Fi Camera	1
Mounting Template	1
Installation Hardware Pack	1
Expansion Bolts	3
Self-tapping Screws	3
Quick Start Guide	1

3 Camera Configuration

Use the following sections to identify the camera components and status indicators.

3.1 Camera and Cables

The following image depicts the main components of the camera:

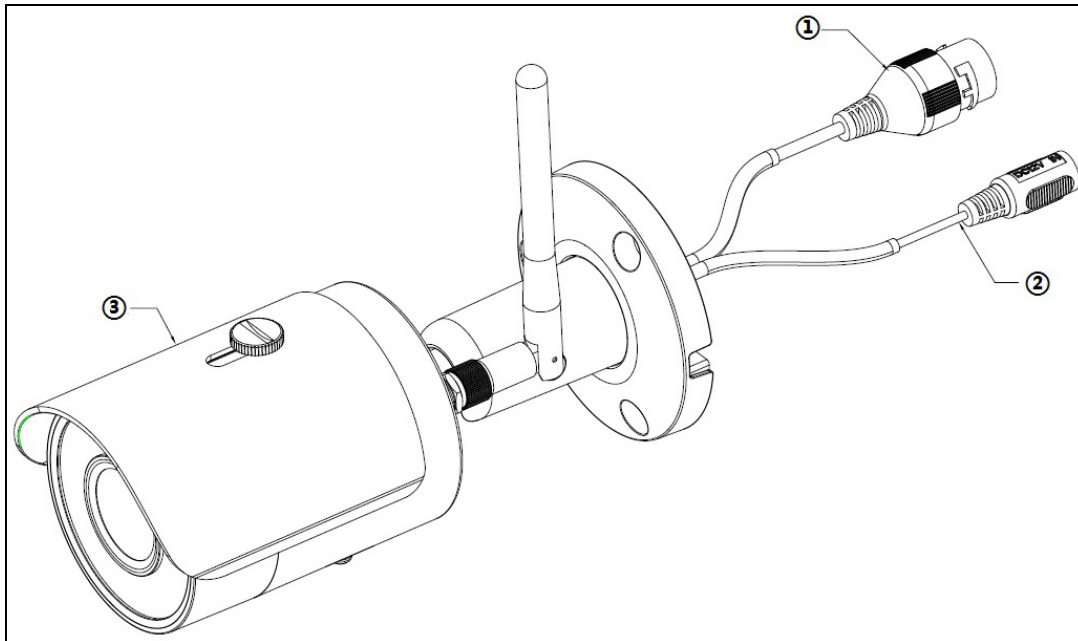


Figure 3-1

Ref	Description
1	Network port
2	Power port
3	Wi-Fi camera with sunshield

3.2 Camera Control and Indicators

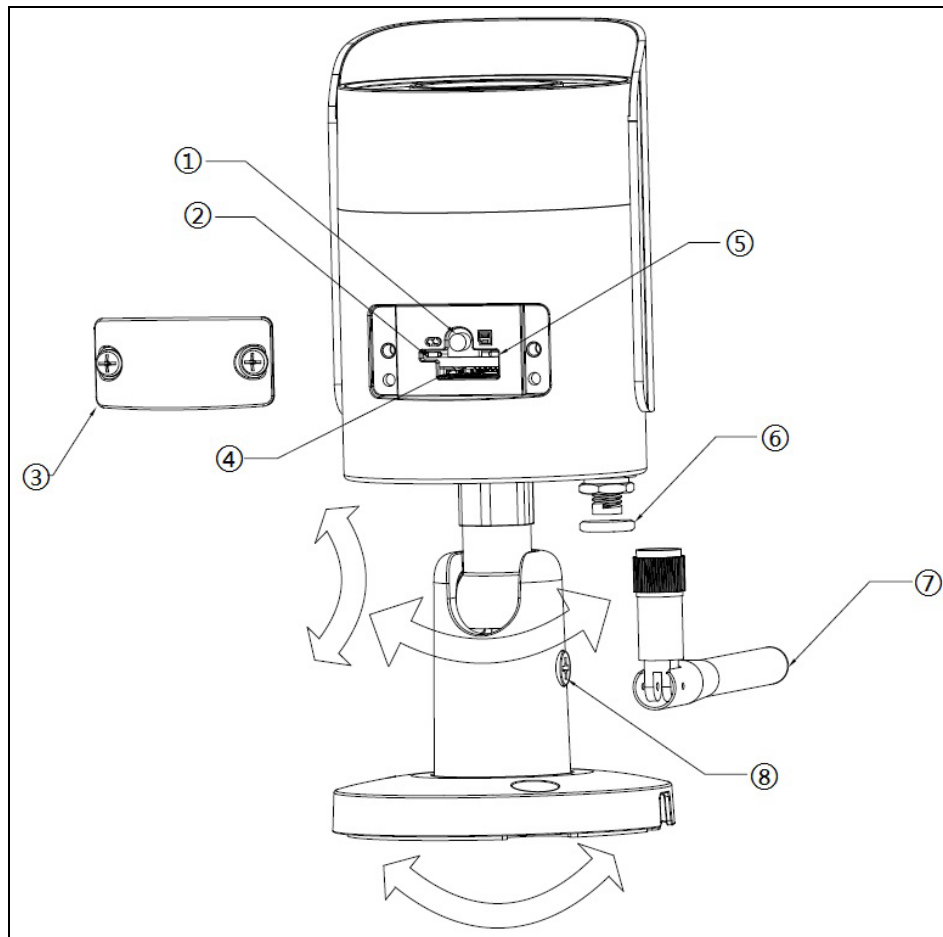


Figure 3-2

Ref	Description
1	Reset/ Wi-Fi Protected Setup (WPS) button
2	Indicator Light 1
3	Lower Cover
4	Micro SD Card Slot
5	Indicator Light 2
6	Waterproof Ring
7	Wi-Fi Antenna
8	Locking Screw

3.3 Status Indicators

Indicator	State	Status
Red Light	On	Camera booting.
	Slow Blinking	Network connection failure or network disconnected.
	Quick Blinking	Device malfunction, boot failure, or Alarm or SD card malfunction.
Green Light	On	Wi-Fi connection successful, camera operating normally.
	Slow Blinking	Boot successful, awaiting Wi-Fi configuration, enter Smart Configuration status.
	Quick Blinking	Wi-Fi Smart Config in progress including Wi-Fi Protected Setup.
Red/Green Light	Blinking Alternately	Device upgrade required.

- To reset the camera press and hold the Reset button for 8 seconds until the light goes off.
- To enter the Wi-Fi Protected Setup press the Reset button once, then release quickly.

3.4 Framework and Dimensions

The following figures show the dimensions of the device in mm [in.]. These images are intended as a reference only.

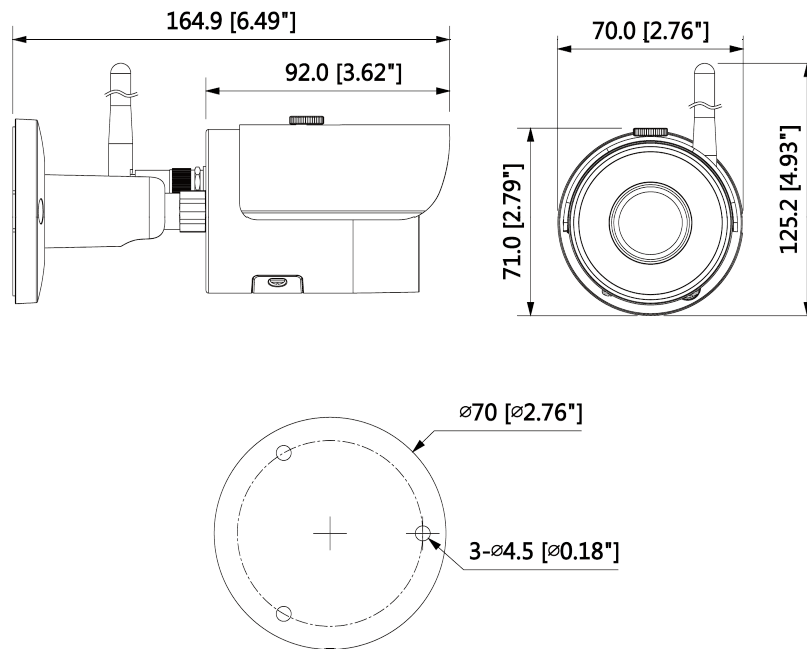
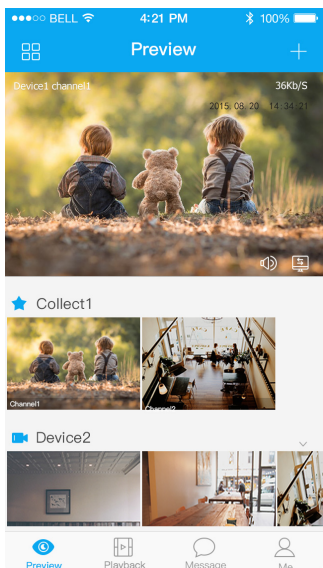


Figure 3-3

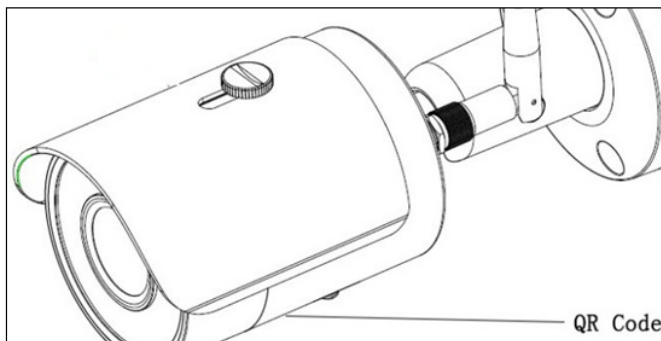
4 Wi-Fi Configuration

Dahua offers the Easy4IP mobile application to assist with identifying a Wi-Fi enabled camera and associating the camera with a security system network.

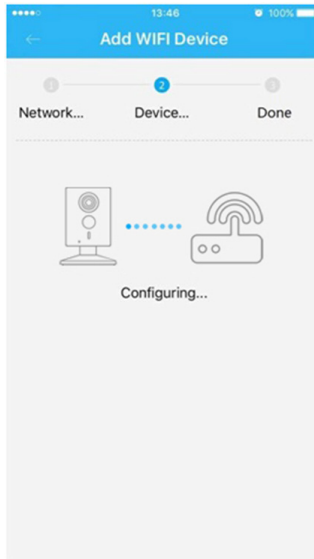
1. Supply power to the camera.
2. Connect your smart phone to the security system's Wi-Fi network.
3. Scan the Easy4IP QR code on the camera packaging. Then, download and install the Easy4IP application.
4. Open the Easy4IP app on the smart phone and tap login. You must complete the registration prior to first use.
5. Tap "+" to add devices.



6. Select "Wired" to add a camera connected to the network via a cable. Select "Wireless" to add a camera connected wirelessly to the network.
7. Type a name for the camera then scan the QR code on camera.



8. Type the Wi-Fi network password and tap Next. The app accesses the Wi-Fi network and adds the camera. This process can take up to 60 seconds.



9. To switch the camera between a wired or a wireless configuration:
 - a. Press and hold the Reset button on the bottom of the camera for eight seconds.
 - b. Repeat steps 6 through 8 of this procedure. At step 6, choose either Wired or Wireless depending on the new connection.

5 Device Installation

This section details installing the camera to a wall or ceiling. Note that the wall or ceiling must be capable of supporting a minimum of three times the weight of the camera and a bracket (if used). DO NOT connect the camera to the power supply during installation.

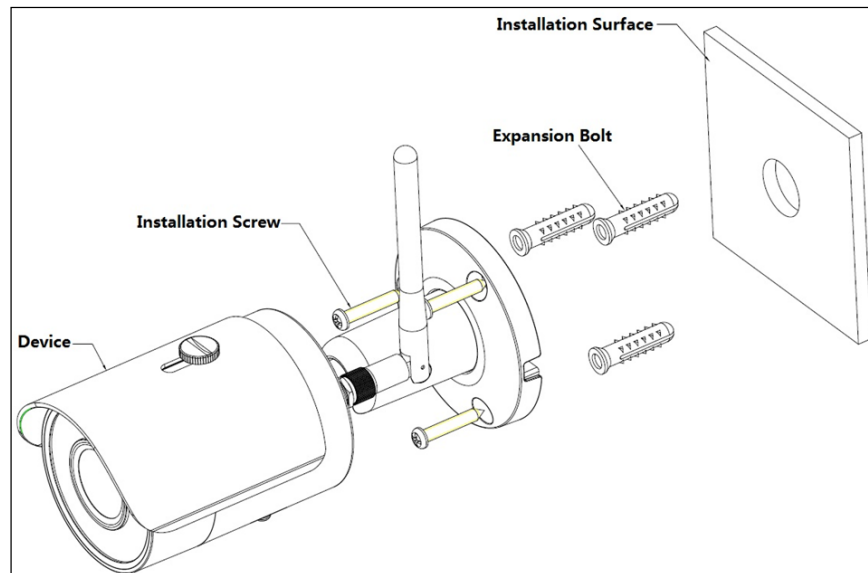
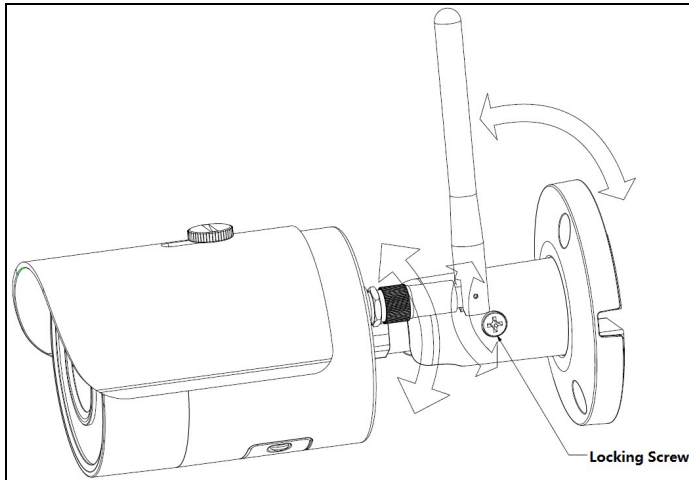


Figure 5-1

1. Remove the camera and the hardware package from the box.
2. Place the base of the camera against the installation surface and mark the location of the three holes.
3. Pre-drill the three perimeter holes for the expansion bolts, using a drill bit that is no wider than the expansion bolt.
4. Drill the center hole to route the cable from the camera through the installation surface.
5. Insert an expansion bolt into each pre-drilled perimeter hole.
6. Insert an optional Micro SD Card into the camera:
 - a. Loosen the two screws on the bottom of the camera to remove the lower cover.
 - b. Insert a Micro SD Card (128 GB, maximum) into the slot.
 - c. Replace the lower cover and secure the screws.
7. Route the cables from the back of the camera through the installation surface and align the three holes on the base of the camera with the expansion bolts.
8. Insert a self-tapping screw into each hole on the camera base and secure to an expansion bolt.
9. Adjust the sunshield, if necessary. Loosen the screw on the top of the camera and slide the sunshield back and forth to the desired location, then tighten the screw.
10. Connect the video output ports to the associated output device (monitor, DVR) and connect the power cable to a 12 VDC power supply.

11. Adjust the monitoring direction of the camera. Loosen the set screw along the shaft of the camera, then position the camera by tilting, twisting, and rotating the camera.



12. Tighten the set screw.



Dahua Technology USA Inc.

23 Hubble, Irvine, CA 92618

Tel: (949) 679-7777

Fax: (949) 679-5760

Email: sales.usa@global.dahuatech.com

Rev 001.001 © 2016 Dahua. All rights reserved. Design and specifications are subject to change without notice.