

Hybrid Thermal Network Bullet Camera

256 x 192 Thermal Sensor and a 2 MP CMOS Sensor



System Overview

The Hybrid Thermal Network camera combines an uncooled VOx 256 x 192 thermal imager with a 2 MP visible-light sensor for cost-effective, long-range surveillance in a rugged all-in-one package. The thermal imager coupled with an athermalized, focus-free lens produces crisp images in total darkness and sees through rain, fog, and snow. The visible imager with an IR illuminator delivers superior video in any lighting condition. The built-in Fire Detection feature identifies a rapid temperature rise and warns of a potential fire. Hybrid thermal cameras let you see the visible and the invisible.

Functions

Uncooled Vanadium Oxide (VOx) Technology

Dahua thermal cameras use an uncooled Vanadium Oxide (VOx) sensor that delivers higher thermal sensitivity in a more compact and cost-effective package. Vanadium Oxide cameras are also more reliable, as compared to other thermal imaging technologies, due to less moving parts.

Athermalized Lens

The athermalized lens used in Dahua thermal cameras maintains the focus position passively and without power over a wide temperature range.

High Thermal Sensitivity

The VOx detector offers high thermal sensitivity (≤ 50 mK) that allows Dahua thermal cameras to distinguish objects in a scene with minimal temperature differences. The camera captures detailed images where thermal contrast between object and background is minimal.

Smart Alarm

The camera is equipped with a white-light illuminator and an external speaker that can be triggered when the camera detects an abnormal event either via the thermal or the visible-light sensor. The camera also takes a snapshot of the scene and can record the snapshot.

Thermal Camera

- 256 x 192 VOx Uncooled Thermal Sensor Technology
- Athermalized Lens, Focus-free
- 3.5 mm Fixed Thermal Lens
- ≤ 50 mK Thermal Sensitivity

Visible-light Camera

- 1/2.8-in. 2 MP Progressive-scan CMOS Sensor
- 4 mm Fixed Lens
- Maximum IR Distance 35 m (114 ft)

System Features

- Intelligent Video System with Fire Detection and Alarm Functionality
- Enhanced Power and Data Transmission Distances (ePoE)
- IP67 Ingress Protection
- Five-year Warranty*



Fire Detection and Alarm

With built-in fire detection functionality, the camera can detect a rapid rise in temperature over a short time and issue an alarm for a potential fire event even at long distances. Because thermal cameras are sensitive to temperature, they provide higher fire detection accuracy than standard cameras, making them particularly fit for applications such as forest fire prevention.

Enhanced Power over Ethernet (ePoE) Technology

Dahua's innovative ePoE technology offers a plug-and-play solution to transmit power and data over long distances via Ethernet or coaxial cables, reducing installation time and saving money. ePoE technology is a viable, cost-effective solution for extending transmission distances and for converting existing, coax-based analog systems into IP systems. For video security and surveillance installers, ePoE technology saves time and money by reducing overall cabling requirements, allowing for existing coax cable to be used, and minimizing the number of peripheral devices needed. For new installations, ePoE offers the ability to design long-distance applications without the need for additional repeaters.

Intelligent Video System (IVS)

IVS is a built-in video analytic algorithm that delivers intelligent functions to monitor a scene for Tripwire violations, intrusion detection, and abandoned or missing objects. A camera with IVS quickly and accurately responds to monitoring events in a specific area.

Environmental

With a temperature range of -30 °C to $+60$ °C (-22 °F to $+140$ °F), the camera is designed for extreme temperature environments. The camera complies with the IP67 rating makes it suitable for demanding outdoor applications.

Protection

The camera allows for $\pm 15\%$ input voltage tolerance, suitable for the most unstable conditions for outdoor applications. Its 6 KV lightning rating provides effective protection for both the camera and its structure against lightning.

Technical Specification

Thermal Camera

Image Sensor	Uncooled VOx Microbolometer
Effective Pixels	256 (H) x 192 (V)
Pixel Size	12 μm
Thermal Sensitivity (NETD)	≤ 50 mK
Spectral Range	8 μm to 14 μm
Image Setting	Brightness, Sharpness, ROI, AGC, FFC, 3D DNR
Color Palettes	18, including: Whitehot, Blackhot, Ironrow, Icefire, Fusion, Rainbow, Globow, Iconbow1, Iconbow2

Thermal Lens

Lens Type	Fixed, F1.0	
Focus Control	Athermalized, Focus-free	
Focal Length	3.5 mm	
Angle of View	Horizontal: 50.6° Vertical: 37.8°	
Effective Distance, human (1.80 m x 0.50 m) ¹	Detection	146 m (479 ft)
	Recognition	38 m (125 ft)
	Identification	19 m (62 ft)
Effective Distance, vehicle (2.30 m x 2.30 m) ¹	Detection	389 m (1276 ft)
	Recognition	97 m (318 ft)
	Identification	49 m (161 ft)

Visible-light Camera

Image Sensor	1/2.8-in. CMOS
Effective Pixels	1920 (H) x 1080 (V)
Electronic Shutter Speed	1/1 s to 1/30,000 s
Minimum Illumination	Color: 0.005 lux at F2.0 B/W: 0.0005 lux at F2.0 0 lux with IR On
S/N Ratio	> 56 dB
IR Distance	35.0 m (114.83 ft)
IR On/Off Control	Auto, Manual
IR LEDs	One (1)

Visible-light Lens

Focal Length	4 mm
Maximum Aperture	F2.0
Angle of View	Horizontal: 80° Vertical: 45°
Focus Control	Auto, Manual
Close Focus Distance	0.20 m (0.66 ft)

Video

Compression	H.265, H.264M, H.264H, H.264B, MJPEG	
Frame Rate	Main Stream	
	Thermal	1280 x 960, 1024 x 768, 640 x 480, 256 x 192 at 30 fps
	Visible	1920 x 1080, 1280 x 720, 704 x 480 at 30 fps
	Sub Stream	
	Thermal	640 x 480, 256 x 192 at 30 fps
	Visible	704 x 480, 352 x 240 at 30 fps
Bit Rate Control	CBR, VBR	
Bit Rate	H.265	Visible Light Sensor: 256 Kbps to 5632 Kbps
		Thermal Sensor: 129 Kbps to 3840 Kbps
	H.264	Visible Light Sensor: 256 Kbps to 8192 Kbps
		Thermal Sensor: 216 Kbps to 6144 Kbps
Day/Night	Auto (ICR), Color, B/W	
BLC Mode	BLC, HLC, Digital WDR	
White Balance	Auto, Indoor, Outdoor, Manual	
Motion Detection	Off, On (4 zones, Rectangle)	
Region of Interest	Off, On (4 zones)	
Defog	On, Off	
Flip	180°	
Mirror	Off, On	
Privacy Masking	Off, On (4 areas, Rectangle)	

Network

Ethernet	RJ-45 (10/100 Base-T)
Protocol	IPv4/IPv6, HTTP, HTTPS, 802.1x, Qos, FTP, SMTP, UPnP, SNMP, DNS, DDNS, NTP, RTSP, RTP, TCP, UDP, IGMP, ICMP, DHCP, PPPoE, ONVIF
Interoperability	ONVIF Profile S & G, API
Streaming Method	Unicast, Multicast
Maximum User Access	20 Users
Edge Storage	Network Attached Storage (NAS) Local PC for Instant Recording Micro SD Card Slot, maximum 256 GB Memory Status Display: Normal, Error, Active, Formatting, Lock
Web Viewer	IE 11, Chrome, Firefox, Safari
Management Software	SmartPSS, DSS
Mobile Operating System	Android, IOS

Audio

Compression	G.711a, G.711Mu, AAC, PCM
-------------	---------------------------

1. The Detection, Recognition, and Identification values shown are nominal values and should be used as estimates only. Exact value calculations depend on a wide variety of conditions.

Certifications

Safety	UL 60950-1, 2nd Edition CAN/CSA C22.2 No. 60950-1-07, 2nd Edition EN 60950:2000
Electromagnetic Compatibility (EMC)	FCC CFR 47 Part 15 Subpart B

Interface

Video	One (1) Port, BNC (use for camera installation)
Audio	Input: One (1) Channel, RCA Output: One (1) Channel, RCA
RS485	One (1) Port
Alarm	Input: Two (2) Channels Output: Two (2) Channels

Electrical

Power Supply	12 VDC ± 15%, 1 A or PoE/ePoE
Power Consumption	Maximum 12 W

Environmental

Operating Condition	-30° C to +60° C (-22° F to +140° F) Less than 95% RH
Storage Conditions	-40° C to +70° C (-40° F to +158° F) Less than 95% RH
Ingress Protection	IP67

Construction

Casing	Metal
Dimensions	279.90 mm x 103.80 mm x 95.80 mm (11.02 in. x 4.09 in. x 3.77 in.)
Net Weight	1.40 kg (3.09 lb)
Gross Weight	1.90 kg (4.19 lb)

Intelligence

IVS triggers an alarm and takes a defined action for the following events:	
Standard Features	<ul style="list-style-type: none"> Tampering with the camera. Camera loses or changes focus drastically. Error writing to an onboard Micro SD card. Error sending or receiving data over the network. Unauthorized access to the camera.
Premium Features	
Tripwire	A target crosses a user-defined line.
Intrusion	A target enters or exits a defined perimeter.
Abandoned/Missing Object	A target leaves an object in designated area, or a target removes an object from the same designated area.
Advanced Features	
Fire Detection	Detects a rapid rise in temperature over a short time and issues an alarm for a potential fire.
Cold/Hot Spot Trace	Indicates the coldest and the hottest spot of the scene.
Human/Vehicle Classification	Detects human or vehicle violations using Tripwire or Intrusion detection methods.
Smoking Detection	Uses visible light channel to detect a human head and the thermal channel to detect a heat signature in proximity to the target's head.

Via CAT5E/CAT6 Ethernet Cable

ePoE supply voltage 48 V
Maximum DC resistance < 10 Ω/100 m

Cable Length, m (ft)	Bandwidth, Mbps	PoE Load Capacity, W	Hi-PoE Load Capacity, W	Working Mode
100 (328)	100	25.5	53	IEEE/E100
200 (656)	100	25.5	33	E100
300 (984)	100	19	19	E100
400 (1312)	10	17	17	E10
500 (1640)	10	13	13	E10
800 (2625)	10	7	7	E10

Via CAT5E/CAT6 Ethernet Cable

ePoE supply voltage 53 V
Maximum DC resistance < 10 Ω/100 m

Cable Length, m (ft)	Bandwidth, Mbps	PoE Load Capacity, W	Hi-PoE Load Capacity, W	Working Mode
100 (328)	100	25.5	53	IEEE/E100
200 (656)	100	25.5	47	E100
300 (984)	100	25.5	32	E100
400 (1312)	10	23	26	E10
500 (1640)	10	20	20	E10
800 (2625)	10	13	13	E10

Via RG-59 Coaxial Cable

ePoE supply voltage 48 V
Maximum DC resistance < 5 Ω/100 m

Cable Length, m (ft)	Bandwidth, Mbps	PoE Load Capacity, W	Hi-PoE Load Capacity, W	Working Mode
100 (328)	100	25.5	50	IEEE/E100
200 (656)	100	25.5	30	E100
300 (984)	100	18	18	E100
400 (1312)	100	15	15	E100
500 (1640)	10	12	12	E10
800 (2625)	10	6	6	E10
1000 (3281)	10	5	5	E10

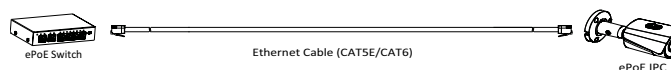
Via RG-59 Coaxial Cable

ePoE supply voltage 53 V
Maximum DC resistance < 5 Ω/100 m

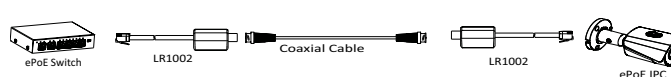
Cable Length, m (ft)	Bandwidth, Mbps	PoE Load Capacity, W	Hi-PoE Load Capacity, W	Working Mode
100 (328)	100	25.5	52	IEEE/E100
200 (656)	100	25.5	48	E100
300 (984)	100	25.5	30	E100
400 (1312)	100	20	23	E100
500 (1640)	10	16	16	E10
800 (2625)	10	10	10	E10
1000 (3281)	10	8	8	E10

ePoE Applications

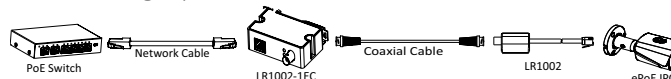
Pure Ethernet



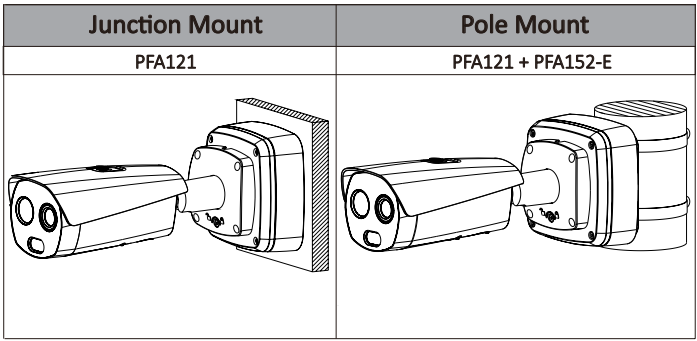
Passive EoC



EoC with Single-port EoC Receiver



Ordering Information		
Type	Part Number	Description
Hybrid Network Camera	DH-TPC-BF2221N-B3	Hybrid Network Bullet Camera, Thermal: 256 x 192, 3.5 mm lens, Visible-light: 2 MP, 4 mm lens, IVS
Mounting Accessories, optional	PFA121	Junction Box
	PFA151	Corner Mount
	PFA152-E	Pole Mount
	DH-PFM321D-US	12 VDC, 1 A Power Adapter
ePoE Accessories, optional	LR1002	EoC Passive Converter
	LR1002-1EC	Single-port EoC Receiver

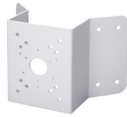


Accessories

Optional:



PFA121
Junction Box



PFA151
Corner Mount



PFA152-E
Pole Mount



LR1002
EoC Passive Converter



LR1002-1EC
Single-port EoC
Receiver



DH-PFM321D-US
12 VDC, 1 A
Power Adapter

Dimensions(mm/in.)

