

# 4 MP HDCVI Eyeball Camera

4 MP HDCVI WDR IR Eyeball Camera



## HDCVI

- True Wide Dynamic Range (120 dB) and 3DNR
- Maximum 4 MP Resolution in Real-time
- HD and SD Dual-output
- 2.8 mm Fixed Lens
- Maximum IR length 50 m (164 ft), Smart IR
- IP67 Ingress Protection
- 12 VDC Power Supply



### System Overview

Experience the superior clarity of real-time 4 MP video while leveraging your existing coaxial infrastructure. The camera features 120 dB True WDR for applications under complex dynamic range and presents high quality images with clear details and accurate color rendition. The camera offers a multi-language on-screen display and HD and SD dual-output. The outstanding performance and easy installation make the camera an ideal choice for mid- to large-size businesses and for projects where highly reliable surveillance and construction flexibility are valued.

### Functions

#### Three Signals over One Coaxial Cable

HDCVI technology simultaneously transmits three signals (video, power, and data) over a single coaxial cable. Dual-way data transmission allows the HDCVI camera to communicate with an HCVR to send control signals or to trigger alarms. Moreover, HDCVI technology supports PoC for construction flexibility.

#### Long Distance Transmission

HDCVI technology guarantees real-time transmission over long distances without loss of video quality. HDCVI cameras provide the same resolution as most IP network camera systems using existing RG-59, RG-6, or CAT 6 UTP cabling.

#### Simplicity

HDCVI technology seamlessly integrates traditional analog surveillance systems with upgraded, high-quality HD video, making it the best choice to protect security investments. The plug and play approach enables full HD video surveillance without the hassles of configuring a network.

#### Multi-outputs

The camera supports HDCVI and CVBS signal outputs simultaneously with two BNC connectors. These output signals allow the camera to integrate with various devices, including analog matrix systems and monitors.

#### Smart IR

With IR illumination, detailed images can be captured in low light or total darkness. The camera's Smart IR technology adjusts the intensity of camera's infrared LEDs to compensate the distance of an object. Smart IR technology prevents IR LEDs from whitening out images as they come closer to the camera. The camera's integrated infrared illumination provides high performance in extreme low-light environments up to 50 m (164 ft).

#### Wide Dynamic Range

For applications with both bright and low lighting conditions that change quickly, True WDR (120 dB) optimizes both the bright and dark areas of a scene at the same time to provide usable video.

#### Advanced 3DNR

3DNR is noise reduction technology that detects and eliminates random noises by comparing two sequential frames. Dahua's advanced 3DNR technology delivers remarkable noise reduction with little impact to sharpness, especially under limited lighting condition. 3DNR, in addition, effectively decreases the bandwidth and saves storage space.

#### Large Aperture Lens

The camera uses a high-end F1.5 large-aperture lens, allowing more absorbed light into the camera for impressive low-light performance.

#### Protection

The camera's outstanding reliability is unsurpassed due to its rugged design. The camera is protected against water and dust with IP67, making it suitable for indoor or outdoor environments.

With a working temperature range of -30 °C to +60 °C (-22 °F to +140 °F), the camera is designed for extreme temperature environments. Supporting ±25% input voltage tolerance, this camera suits even the most unstable power supply conditions. Its 4KV lightning rating provides protection against the camera and its structure from the effects of lightning.

### Technical Specification

#### Camera

Image Sensor	1/3-in. CMOS
Effective Pixels	2688(H) x 1520(V), 4.1 MP
Scanning System	Progressive
Electronic Shutter Speed	1/3 s to 1/100,000 s
Minimum Illumination	0.01 Lux at F1.5 0 Lux with IR on
S/N Ratio	More than 65 dB
IR Distance	Up to 50 m (164 ft)
IR On/Off Control	Auto, Manual
IR LEDs	One (1)

#### Lens

Lens Type	Fixed lens / Fixed iris
Mount Type	Board-in
Focal Length	2.8 mm
Max Aperture	F1.5
Angle of View	Horizontal: 79°
Close Focus Distance	900 mm (59.06 in.)

#### Pan / Tilt / Rotation

Range	Pan: 0° to 360° Tilt: 0° to 78° Rotation: 0° to 360°
-------	--

#### Video

Resolution	4 MP (2560 x 1440)	
Frame Rate	4 MP at 25 fps 1080p at 30 fps 720p at 30 fps	
Video Output	One (1) BNC HDCVI High-definition Channel and, One (1) BNC CVBS Channel	
Video Transmission <sup>1</sup>	RG-59/U Coax	720p: 800 m (2624.67 ft) 1080p: 500 m (1640.42 ft) 4 MP: 500 m (1640.42 ft)
	RG-6/U Coax	720p: 1200 m (3937.01 ft) 1080p: 800 m (2624.67 ft) 4 MP: 700 m (2296.59 ft)
	CAT 6 UTP (balun required)	720p: 450 m (1476.38 ft) 1080p: 300 m (984.25 ft) 4 MP: 300 m (984.25 ft)
Day/Night	Auto (ICR), Manual	
OSD Menu	Multi-language	
BLC Mode	BLC, HLC, WDR	
WDR	120 dB	
Gain Control	AGC	
Noise Reduction	2D/3D	
White Balance	Auto, Manual	
Smart IR	Auto, Manual	

1. Transmission distance results verified by real-scene testing in Dahua's test laboratory. Actual transmission distances may vary due to external influences, cable quality, and wiring structures.

#### Certifications

Safety	UL60950-1+CAN/CSA C22.2 No.60950-1
Electromagnetic Compatibility (EMC)	FCC CFR 47 FCC Part 15 subpartB, ANSI C63.4-2014

#### Electrical

Power Supply	12 VDC ±25%
Power Consumption	Max 5.3 W (12 VDC with IR on)

#### Environmental

Operating Conditions	-30° C to +60° C (-22° F to +140° F), Less than 90% RH * Start up should be done above -30° C (-22° F)
Storage Conditions	-30° C to +60° C (-22° F to +140° F), Less than 90% RH
Ingress Protection	IP67

#### Construction

Casing	Aluminium
Dimensions	ø106.0 mm x 93.70 mm (ø4.17 in. x 3.69 in.)
Net Weight	0.44 kg (0.97 lb)
Gross Weight	0.58 kg (1.28 lb)

**Ordering Information**

Type	Part Number	Description
4 MP Camera	A42AG22	4 MP HDCVI WDR IR Eyeball Camera, 2.8 mm
Accessories	PFA139	Junction box (For use alone)
	PFB204W	Wall mount (For use alone or with PFA152 pole mount)
	PFA152	Pole mount (For use with PFB204W wall mount)

**Accessories**

Optional:



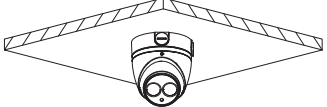
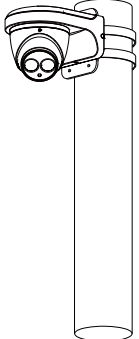
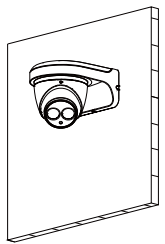
PFA139  
Junction box



PFB204W  
Wall mount



PFA152  
Pole mount

Junction Mount	Pole Mount
PFA139	PFB204W + PFA152
	
Wall Mount	
PFB204W	
	

**Dimensions (mm/inch)**

