

# Ceiling Mount Bracket



- Aluminum and PC Plastic Construction
- Reliable and Aesthetic Design

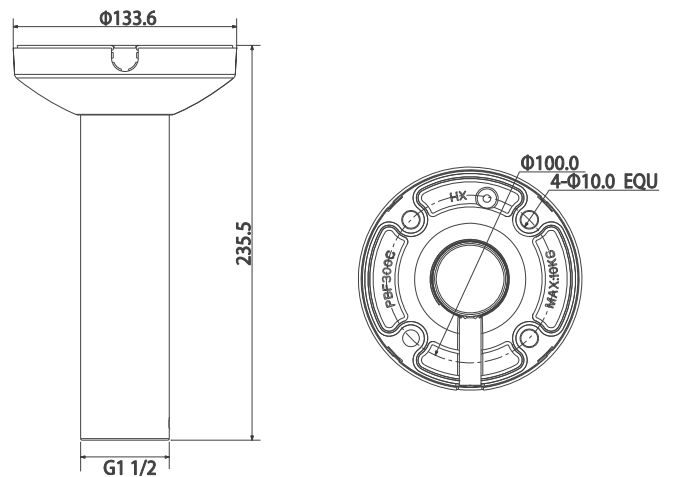
## Technical Specifications

Material	Aluminum and PC Plastic
Dimensions	ø133.60 mm x 235.50 mm (ø5.26 in. x 9.27 in.)
Weight	0.78 kg (1.72 lb)
Color	White
Pipe Thread	G1 1/2-in.
Load Bearing Capacity	7.0 kg (15.43 lbs)
Operating Temperature	-40 °C to 60 °C (-40 °F to 140 °F)
Humidity	0% to 90% RH
Applicable Models	Dome and PTZ Camera Mount Adapters • PFA100 • PFA101 • PFA102 • PFA103 • PFA110 • PFA111 • PFA114 Extension Poles • PFA112 • PFA113

## Ordering Information

Type	Part Number	Description
Ceiling Mount	PFB300C	Ceiling Mount Bracket

## Dimensions (mm/in.)



## Application

