

PFA123

Junction Box



Features

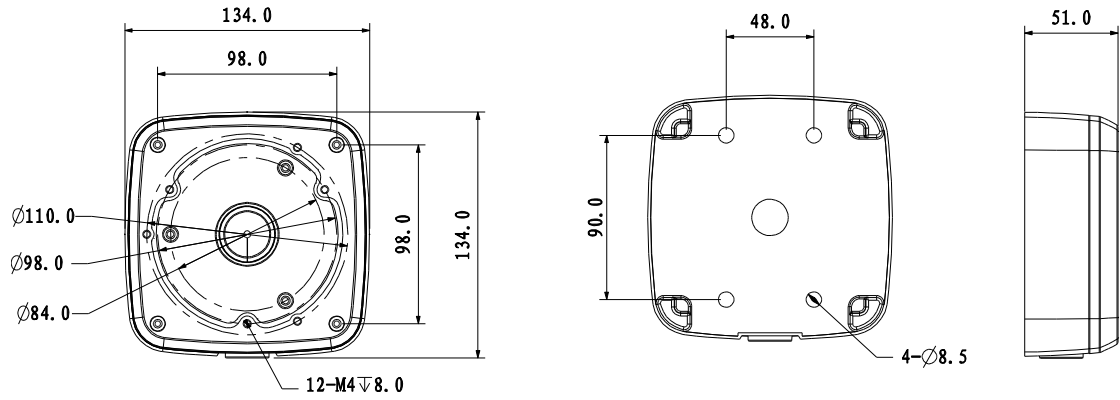
- Material: Aluminum
- IP66 Junction Box
- Neat & Integrated design

Specifications

| | |
|-----------------------|----------------------------------|
| Model | PFA123 |
| General | |
| Material | Aluminum |
| Dimension | 134mm x 134mm x 51mm |
| Pipe Thread | M20(G1/2") |
| Operating Temperature | -40°C ~60°C |
| Humidity | 0~90% RH |
| Load Bearing | 3.0Kg |
| Weight | 0.55Kg |
| Applicable Model | Please see "Accessory Selection" |

PFA123

Dimensions (mm)



Application

