

PFA140

Water-proof Power Box



Features

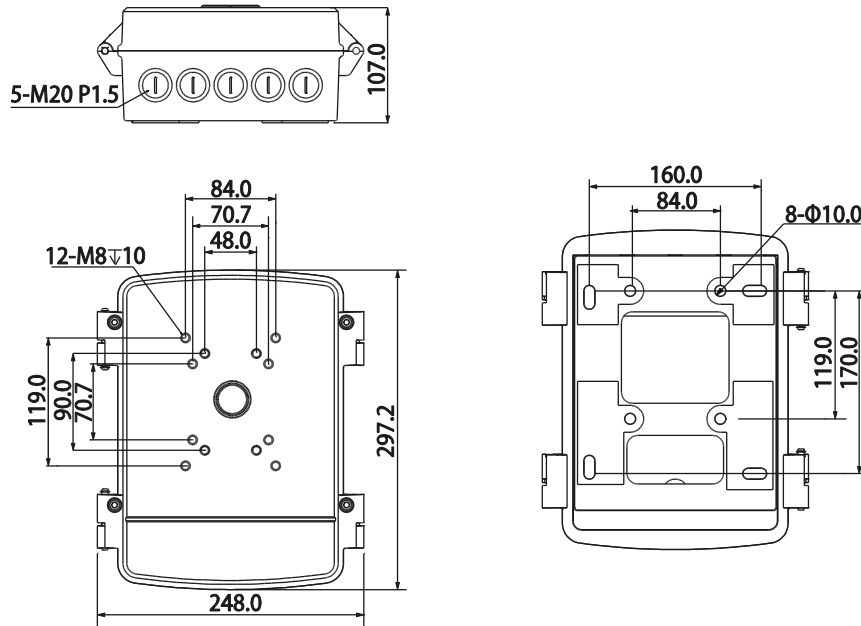
- Material: Aluminum & SECC
- IP66 Power Box
- Neat & Integrated design

Specifications

Model	PFA140
General	
Material	Aluminum & SECC
Dimension (W x H x D)	297mmx 248mm x 107mm
Pipe Thread	M20(G1/2")
Operating Temperature	-40°C ~60°C
Humidity	0~90% RH
Load Bearing	8.0Kg
Weight	3.2Kg
Applicable Model	Please see "Accessory Selection"

PFA140

Dimensions (mm)



Application

