

# PFB110W

## Wall Mount Bracket



### Features

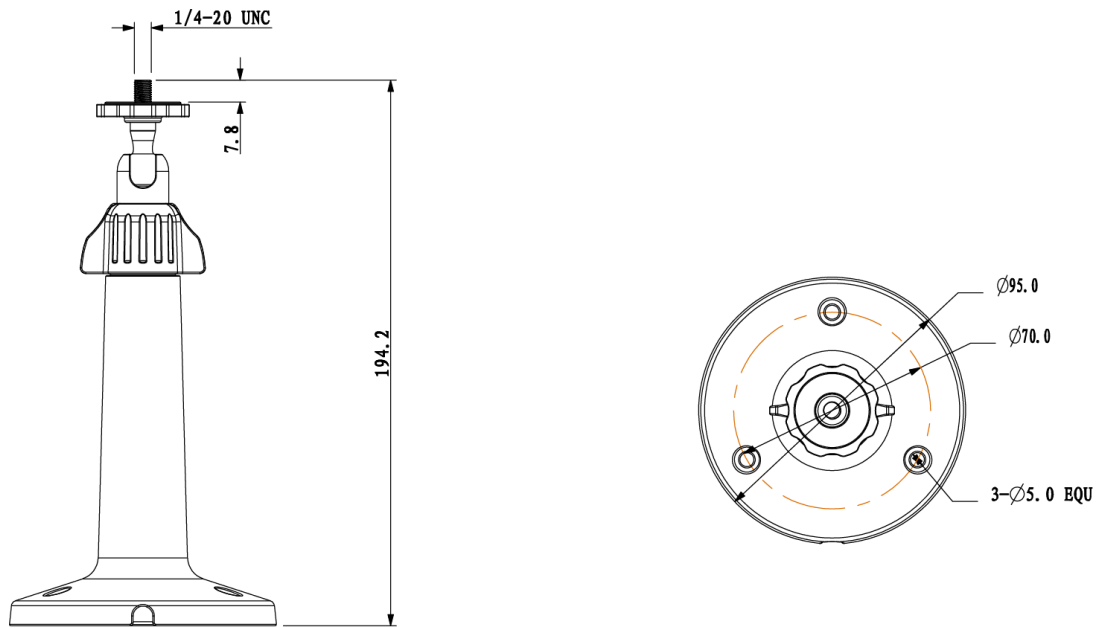
- Material: Aluminum
- Wall Mount/Plane Mount/Ceiling Mount Bracket
- Neat & Integrated design

### Specifications

Model	PFB110W
<b>General</b>	
Material	Aluminum
Dimension (W x H x D)	φ95mmx 195mm
Pipe Thread	1/4" -20 UNC
Operating Temperature	-40°C~60°C
Humidity	0~90% RH
Load Bearing	1.0Kg
Weight	0.18Kg
Color	White
Applicable Model	Please see "Accessory Selection"

# PFB110W

## Dimensions (mm)



## Application

