

PFB121W

Wall Mount Bracket



Features

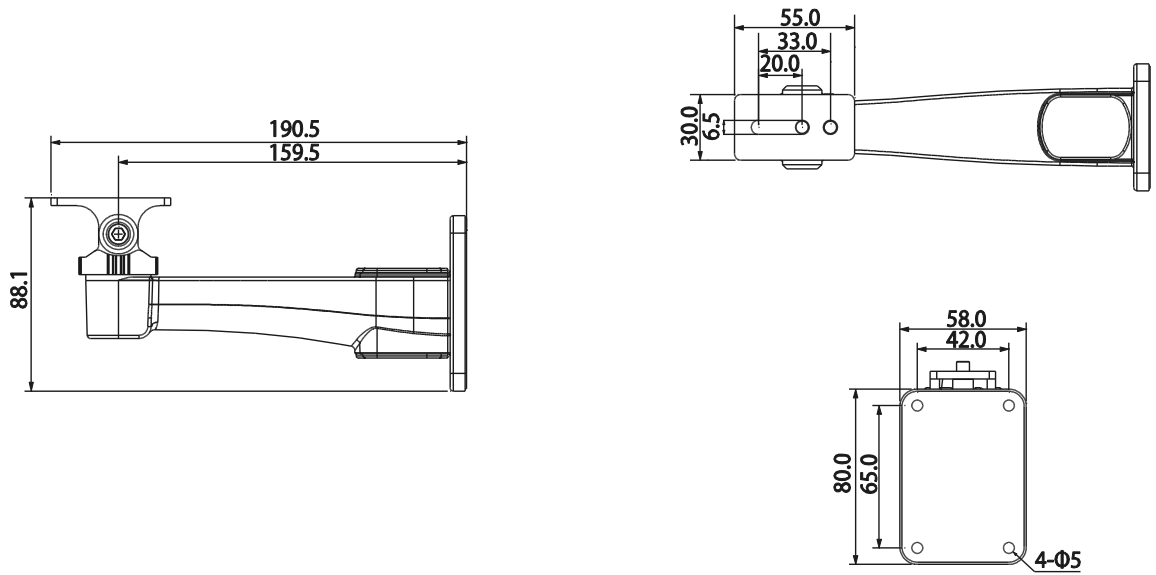
- Material: Aluminum
- Wall Mount Bracket
- Neat & Integrated design

Specifications

Model	PFB121W
General	
Material	Aluminum
Dimension (W x H x D)	58mm x 88mm x 190.5mm
Pipe Thread	N/A
Operating Temperature	-40°C ~60°C
Humidity	0~90% RH
Load Bearing	1.0Kg
Weight	0.24Kg
Applicable Model	Please see "Accessory Selection"

PFB121W

Dimensions (mm)



Application

