

4 MP Fixed Mini Dome Network Camera

4 MP IR Mini Dome Network Camera



- 1/3-in. 4 MP Progressive Scan CMOS
- Triple-stream Encoding with Smart H.265+ Compression
- 4 MP (2688 x 1520) at 30 fps
- Smart Detection Support
- True Wide Dynamic Range (120 dB) and True Day/Night
- Audio and Alarm Interface
- 2.8 mm Fixed Lens
- Maximum IR LED Length 30 m (98 ft)
- Micro SD Memory, IP67, IK10, PoE
- Five-year Warranty*



System Overview

Dahua's Pro series of cameras offers high-resolution video and cutting-edge technology in a compact and accessible package. The cameras feature H.265 video compression, reducing bandwidth and storage requirements without sacrificing video quality. The camera series incorporates True Wide Dynamic Range, Smart IR, and the Intelligent Video Analysis, features typically found on high-end surveillance systems. This series provides a rugged enclosure rated to IP67 Ingress Protection to protect your security investment.

Functions

Wide Dynamic Range

For applications with both bright and low-light conditions that change quickly, True WDR (120 dB) optimizes both the bright and dark areas of a scene at the same time to provide usable video.

Intelligent Video System (IVS)

IVS is a built-in video analytic algorithm that delivers intelligent functions to monitor a scene for Tripwire violations, intrusion detection, and abandoned or missing objects. A camera with IVS quickly and accurately responds to monitoring events in a specific area. In addition to scene analytics, the camera supports face detection to quickly capture a face and upload the image to a server. The camera also offers tamper detection by recognizing a dramatic scene change and generating a warning message to inspect the camera.

High Efficiency Video Coding (H.265)

The H.265 (ITU-T VCEG) video compression standard offers double the data compression ratio at the same level of video quality, or substantially improved video quality at the same bit rate, as compared to older video compression technologies. H.265 offers such impressive compression by expanding the pattern comparison and difference-coding, improving motion vector prediction and motion region merging, and incorporating an additional filtering step called sample-adaptive offset filtering.

Smart H.265+

Smart H.265+ is the optimized implementation of the H.265 codec that uses a scene-adaptive encoding strategy, dynamic GOP, dynamic ROI, flexible multi-frame reference structure and intelligent noise reduction to deliver high-quality video without straining the network. Smart H.265+ technology reduces bit rate and storage requirements by up to 70% when compared to standard H.265 video compression.

Smart IR

With IR illumination, detailed images can be captured in low light or total darkness. The camera's Smart IR technology adjusts the intensity of the camera's infrared LEDs to compensate for the distance of an object. Smart IR technology prevents IR LEDs from whitening out images as they come closer to the camera.

Environmental

With a temperature range of -30 °C to +60 °C (-22 °F to +140 °F), the camera is designed for extreme temperature environments. Subjected and certified to rigorous dust and water immersion tests, the IP67 rating makes it suitable for demanding outdoor applications.

Protection

Supporting $\pm 30\%$ input voltage tolerance, this camera suits even the most unstable conditions for outdoor applications. Its 6KV lightning rating provides protection against the camera and its structure from the effects of lightning.

Technical Specification

Camera

Image Sensor	1/3-in. 4 MP Progressive Scan CMOS
Effective Pixels	2688(H) x 1520(V)
RAM/ROM	512 MB / 32 MB
Scanning System	Progressive
Minimum Illumination	Color: 0.08 Lux at F2.0 0 Lux at F2.0 with IR on
S/N Ratio	More than 50 dB
IR Distance	Distance up to 30.0 m (98.40 ft)
IR On/Off Control	Auto, Manual
IR LEDs	24

Lens

Lens Type	Fixed	
Mount Type	Board-in	
Focal Length	2.8 mm	
Maximum Aperture	F2.0	
Angle of View	Horizontal	104°
	Vertical	57°
Focus Control	Fixed	

Pan/Tilt/Rotation

Range	Pan: 0° to 360° Tilt: 0° to 64° Rotation: 0° to 360°
-------	--

Video

Compression	Smart H.265+, H.265, Smart H.264+, H.264, MJPEG
Streaming Capability	Three (3) Streams
Resolution	4 MP (2688 x 1520) 3 MP (2304 x 1296) 1080p (1920 x 1080) 1.3 MP (1280 x 960) 720p (1280 x 720) D1 (704 x 480) VGA (640 x 480) CIF (352 x 240)
Frame Rate	Main Stream: 4 MP at 30 fps
	Sub Stream: D1 at 30 fps
	Third Stream: 720p at 30 fps
Bit Rate Control	CBR, VBR
Bit Rate	H.264: 24 to 10240 Kbps H.265: 14 to 6144 Kbps
Day/Night	Auto (ICR), Color, B/W
BLC Mode	BLC, HLC, True WDR (120 dB)

White Balance	Auto, Natural, Street Lamp, Outdoor, Manual
Gain Control	Auto, Manual
Noise Reduction	3D DNR
Motion Detection	Off, On (4 Zone, Rectangle)
Region of Interest	Off, On (4 Zone)
Smart IR	Support
Digital Zoom	16x
Flip	0°, 90°, 180°, 270°
Privacy Masking	Off, On (4 Area, Rectangle)

Audio

Compression	G.711a, G.711Mu, AAC, G.726
-------------	-----------------------------

Network

Ethernet	RJ-45 (10/100 Base-T)
Protocol	HTTP, HTTPS, TCP, ARP, RTSP, RTP, UDP, SMTP, FTP, DHCP, DNS, DDNS, PPPOE, IPv4/v6, QoS, UPnP, NTP, Bonjour, 802.1x, Multicast, ICMP, IGMP, SNMP
Interoperability	ONVIF, PSIA, CGI
Streaming Method	Unicast, Multicast
Max. User Access	10 Users / 20 Users
Edge Storage	NAS Local PC for Instant Recording MicroSD Card, maximum 128 GB
Web Viewer	IE, Firefox, Safari
Management Software	Smart PSS, DSS
Mobile Operating System	iOS, Android

Certifications

Safety	UL60950-1
Electromagnetic Compatibility	FCC Part 15 Subpart B

Interface

Audio Interface	Input: One (1) Channel Output: One (1) Channel
Alarm	Input: One (1) Channel Output: One (1) Channel

Electrical

Power Supply	12 VDC, PoE (802.3af, Class 0)
Power Consumption	< 5 W

Environmental

Operating Conditions	-30° C to +60° C (-22° F to +140° F), Less than 95% RH
Storage Conditions	-30° C to +60° C (-22° F to +140° F), Less than 95% RH
Ingress Protection	IP67
Vandal Resistance	IK10

Construction

Casing	Metal, Black
Dimensions	ø109.90 mm x 81.0 mm (ø4.33 in. x 3.19 in.)
Net Weight	0.41 kg (0.91 lb)
Gross Weight	0.53 kg (1.17 lb)

Intelligence

IVS triggers an alarm and takes a defined action for the following events:

Standard Features	<ul style="list-style-type: none"> Tampering with the camera. Error writing to an onboard Micro SD card. Error sending or receiving data over the network. Unauthorized access to the camera.
Premium Features	
Motion	An object moves through any part of the scene.
Tripwire	A target crosses a user-defined line.
Intrusion	A target enters or exits a defined perimeter.
Scene Change	A person or object moves the camera to change the scene or covers the camera to obscure the scene.
Abandoned/Missing Object	A target leaves an object in designated area, or a target removes an object from the same designated area.
Advanced Features	
Facial Detection	Detects and captures a snapshot of human face in a defined area within a scene.

Ordering Information

Type	Part Number	Description
4 MP Camera	N44BL52-B	4 MP IR Mini Dome Network Camera, 2.8 mm, IVS, Black Housing
Accessories (optional)	PFB302W	Wall mount
	PFA136	Junction box
	PFA150	Pole mount
	PFA152	Pole mount

Accessories

Optional:



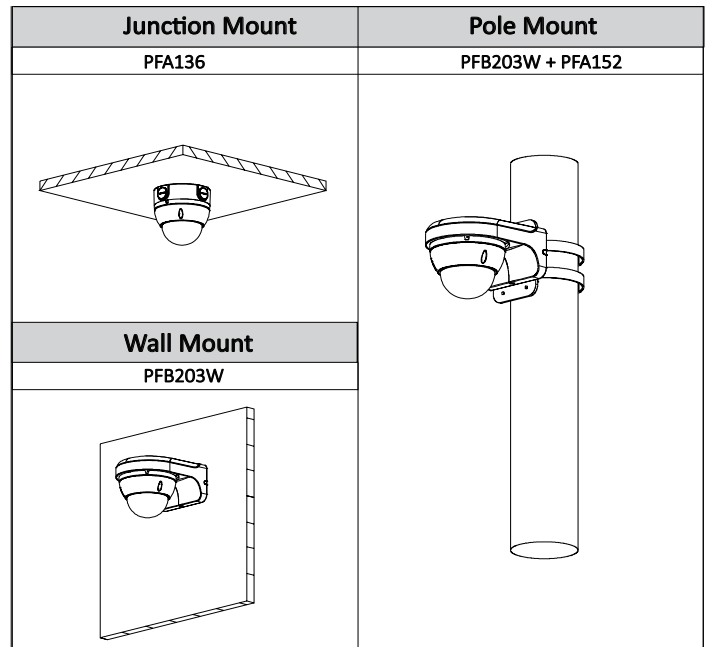
PFA136
Junction Box



PFB203W
Wall Mount



PFA152
Pole Mount



Dimensions (mm/inch)

