

4 MP Bullet Camera

WDR IR Bullet Network Camera



- 1/3-in. 4 MP Progressive Scan Exmor CMOS
- Smart H.265+¹ and H.264 Triple-stream Encoding
- 30 fps at 4 MP (2688 × 1520)
- Smart Detection Supported
- True Wide Dynamic Range (120 dB) and Day/Night IR Cut Filter
- 2.7 mm to 12 mm Motorized Lens
- Intelligent Video System with Facial Detection
- Alarm and Audio Inputs/Outputs
- Max. IR LED Length 50 m (164 ft)
- Micro SD Memory, IP67, PoE
- 5-year Warranty



System Overview

Dahua's Pro series of cameras offers high-resolution video and cutting-edge technology in a compact and accessible package. The cameras feature H.265 video compression, reducing bandwidth and storage requirements without sacrificing video quality. The camera series incorporates True Wide Dynamic Range, Smart IR, and the optional Intelligent Video Analysis, features typically found on high-end surveillance systems. This series provides a rugged enclosure rated to IP67 Ingress Protection to protect your security investment.

Functions

Wide Dynamic Range

For applications with both bright and low-light conditions that change quickly, True WDR (120 dB) optimizes both the bright and dark areas of a scene at the same time to provide usable video.

Intelligent Video System (IVS)

IVS is a built-in video analytic algorithm that delivers intelligent functions to monitor a scene for Tripwire violations, intrusion detection, and abandoned or missing objects. A camera with IVS quickly and accurately responds to monitoring events in a specific area. In addition to scene analytics, the camera supports face detection to quickly capture a face and upload the image to a server. The camera also offers tamper detection by recognizing a dramatic scene change and generating a warning message to inspect the camera.

Street Light Compensation

The camera delivers exceptional images even when shooting under sodium-vapor lamps that typically add a yellowish-tint to the scene hampering identification. This camera provides a built-in white-balance mode that compensates for the tint to restore the scene to its original color.

High Efficiency Video Coding (H.265)

The H.265 (ITU-T VCEG) video compression standard offers double the data compression ratio at the same level of video quality, or substantially improved video quality at the same bit rate, as compared to older video compression technologies. H.265 offers such impressive compression by expanding the pattern comparison and difference-coding, improving motion vector prediction and motion region merging, and incorporating an additional filtering step called sample-adaptive offset filtering.

Smart H.265+¹

Smart H.265+ is the optimized implementation of the H.265 codec that uses a scene-adaptive encoding strategy, dynamic GOP, dynamic ROI, flexible multi-frame reference structure and intelligent noise reduction to deliver high-quality video without straining the network. Smart H.265+ technology reduces bit rate and storage requirements by up to 70% when compared to standard H.264 video compression.

Smart IR

With IR illumination, detailed images can be captured in low light or total darkness. The camera's Smart IR technology adjusts the intensity of camera's infrared LEDs to compensate the distance of an object. Smart IR technology prevents IR LEDs from whitening out images as they come closer to the camera. The camera's integrated infrared illumination provides high performance in extreme low-light environments up to 50 m (164 ft).

Environmental

With a temperature range of -30 °C to +60 °C (-22 °F to +140 °F), the camera is designed for extreme temperature environments. Subjected and certified to rigorous dust and water immersion tests, the IP67 rating makes it suitable for demanding outdoor applications.

Protection

Supporting ±30% input voltage tolerance, this camera suits even the most unstable conditions for outdoor applications. Its 6KV lightning rating provides protection against the camera and its structure from the effects of lightning.

1. Firmware update required for Smart H.265+ support. Firmware available January 2017.

Technical Specification

Camera

Image Sensor	1/3-in. 4 MP Progressive Scan CMOS
Effective Pixels	2688(H) × 1520(V)
RAM/ROM	512 MB / 32 MB
Scanning System	Progressive
Minimum Illumination	Color: 0.03 lux at F1.4 B/W: 0 lux at F1.4 (IR on)
S/N Ratio	More than 50 dB
IR Distance	Distance up to 50 m (164.04 ft)
IR On/Off Control	Auto/ Manual
IR LEDs	Four (4)

Lens

Lens Type	Motorized/ Auto Iris (DC)
Mount Type	Board-in
Focal Length	2.7 mm to 12 mm
Max. Aperture	F1.4
Angle of View	Horizontal: 100° to 35° Vertical: 54° to 20°
Optical Zoom	4x
Focus Control	Motorized
Close Focus Distance	0.30 m (0.98 ft)

Pan/Tilt/Rotation

Range	Pan: 0° to 360° Tilt: 0° to 90° Rotation: 0° to 360°
-------	--

Video

Compression	Smart H.265+ ¹ , H.265, Smart H.264+, H.264
Streaming Capability	Three (3) Streams
Resolution	4 MP (2688 × 1520), 3 MP (2304 × 1296), 1080p (1920 × 1080), 1.3 MP (1280 × 960), 720p (1280 × 720), D1 (704 × 480), VGA (640 × 480), CIF (352 × 240)
Frame Rate	Main Stream: 4 MP at 30 fps
	Sub Stream 1: D1 at 30 fps
	Sub Stream 2: 720p at 30 fps
Bit Rate Control	CBR/VBR
Bit Rate	H.264: 24 to 10240 Kbps H.265: 14 to 9984 Kbps
Day/Night	Auto (ICR), Color, B/W
BLC Mode	BLC, HLC, WDR (120 dB)

White Balance	Auto, Natural, Street Lamp, Outdoor, Manual
Gain Control	Auto, Manual
Noise Reduction	3D DNR
Motion Detection	Off, On (4 Zone, Rectangle)
Region of Interest	Off, On (4 Zone)
Smart IR	Support
Digital Zoom	16x
Flip	0° / 90° / 180° / 270°
Mirror	Off, On
Privacy Masking	Off, On (4 Area, Rectangle)

Audio

Compression	G.711a, G.711Mu, AAC, G.726
-------------	-----------------------------

Network

Ethernet	RJ-45 (10/100 Base-T)
Protocol	HTTP, HTTPS, TCP, ARP, RTSP, RTP, UDP, SMTP, FTP, DHCP, DNS, DDNS, PPPoE, IPv4/v6, QoS, UPnP, NTP, Bonjour, 802.1x, Multicast, ICMP, IGMP, SNMP
Interoperability	ONVIF, PSIA, CGI
Streaming Method	Unicast / Multicast
Max. User Access	10 Users / 20 Users
Edge Storage	NAS Local PC for Instant Recording MicroSD Card, maximum 128 GB
Web Viewer	IE, Firefox, Safari
Management Software	Smart PSS, DSS
Mobile Operating System	iOS, Android

Certifications

Safety	UL60950-1
Electromagnetic Compatibility	FCC Part 15 Subpart B

Interface

Audio Interface	In: One (1) Channel Out: One (1) Channel
Alarm	In: Two (2) Channels Out: One (1) Channel

Electrical

Power Supply	DC12V, PoE (802.3af, Class 0)
Power Consumption	< 11.5 W

1. Firmware update required for Smart H.265+ support. Firmware available January 2017.

Environmental

Operating Conditions	-30° C to +60° C (-22° F to +140° F), Less than 95% RH
Storage Conditions	-30° C to +60° C (-22° F to +140° F), Less than 95% RH
Ingress Protection	IP67

Construction

Casing	Metal
Dimensions	273.20 mm x 95.0 mm x 96.40 mm (10.76 in. x 3.74 in./ x 3.79 in.)
Net Weight	1.07 kg (2.36 lb)
Gross Weight	1.40 kg (3.09 lb)

Intelligence

IVS triggers an alarm and takes a defined action for the following events:

Standard Features	<ul style="list-style-type: none"> • Tampering with the camera. • Error writing to an onboard Micro SD card. • Error sending or receiving data over the network. • Unauthorized access to the camera.
Premium Features	
Motion	An object moves through any part of the scene.
Tripwire	A target crosses a user-defined line.
Intrusion	A target enters or exits a defined perimeter.
Scene Change	A person or object moves the camera to change the scene or covers the camera to obscure the scene.
Abandoned/Missing Object	A target leaves an object in designated area, or a target removes an object from the same designated area.
Advanced Features	
Facial Detection	Detects and captures a snapshot of human face in a defined area within a scene.

Ordering Information

Type	Part Number	Description
4 MP Camera	N45BB5Z	4 MP IR Bullet Network Camera, WDR, IVS
Accessories (optional)	PFA121	Junction box
	PFA152	Pole Mount

Accessories

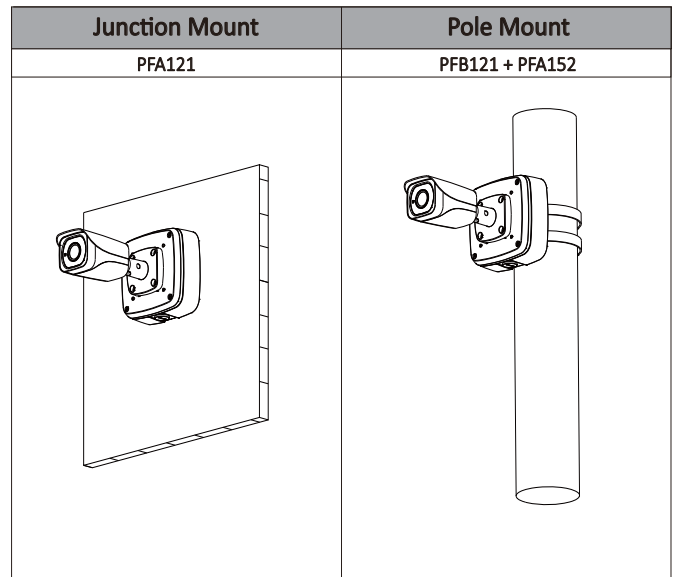
Optional:



PFA121
Junction box



PFA152
Pole Mount



Dimensions (mm/inch)

