

PFA102

Mount Adapter



Features

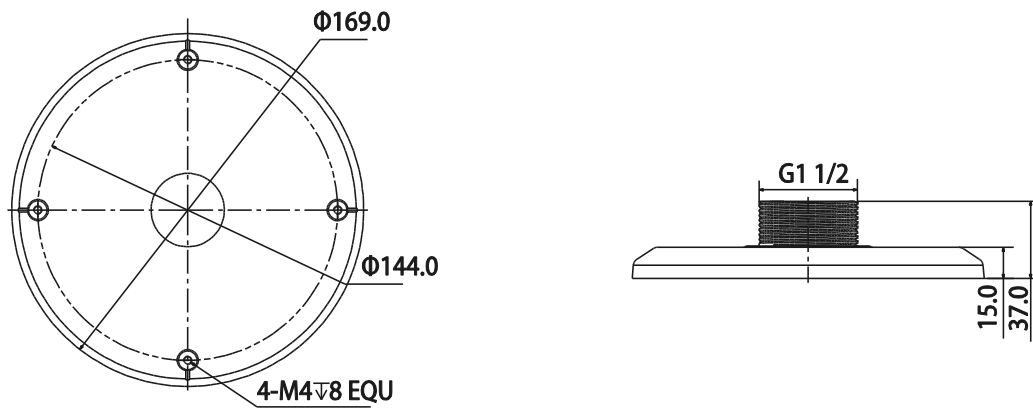
- Material: Aluminum
- Mount Adapter
- Neat & Integrated design

Specifications

Model	PFA102
General	
Material	Aluminum
Dimension (W x H x D)	φ169mm x 37mm
Pipe Thread	G1 ₁ / 2"
Operating Temperature	-40°C ~60°C
Humidity	0~90% RH
Load Bearing	N/A
Weight	0.25Kg
Applicable Model	Please see "Accessory Selection"

PFA102

Dimensions (mm)



Application

