



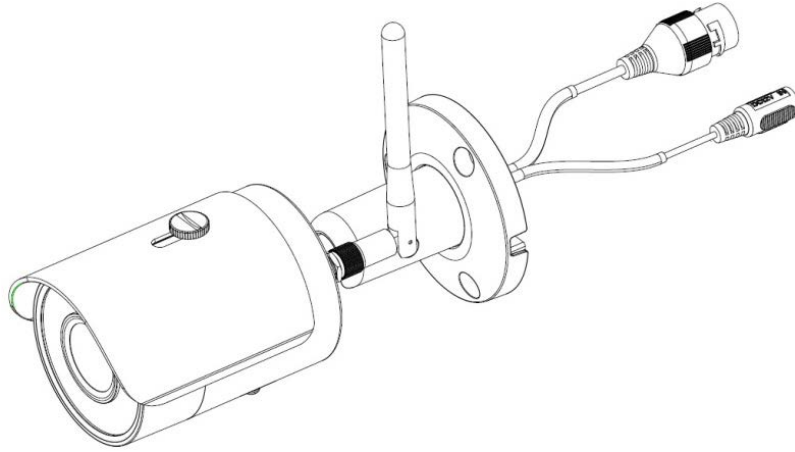
Dahua Bullet Wi-Fi Camera Quick Start Guide

Dahua Bullet Wi-Fi Camera Quick Start Guide

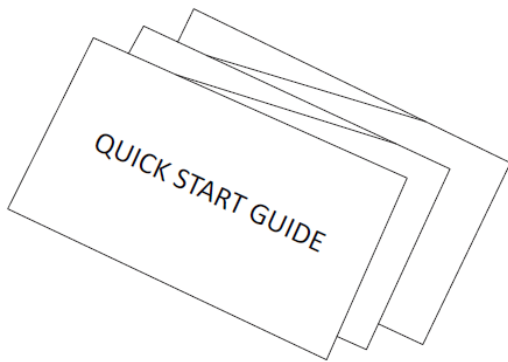
USA Version 1.0.0

ZHEJIANG DAHUA VISION TECHNOLOGY CO., LTD.

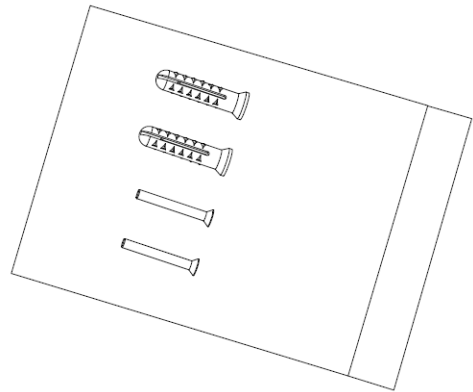
1 Packing List



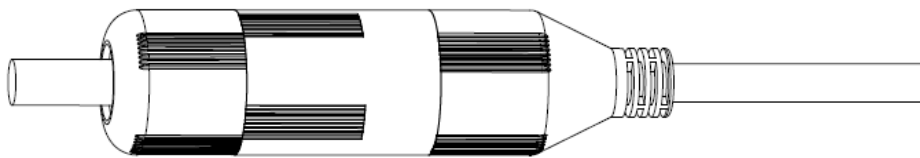
Device × 1



QSG × 1

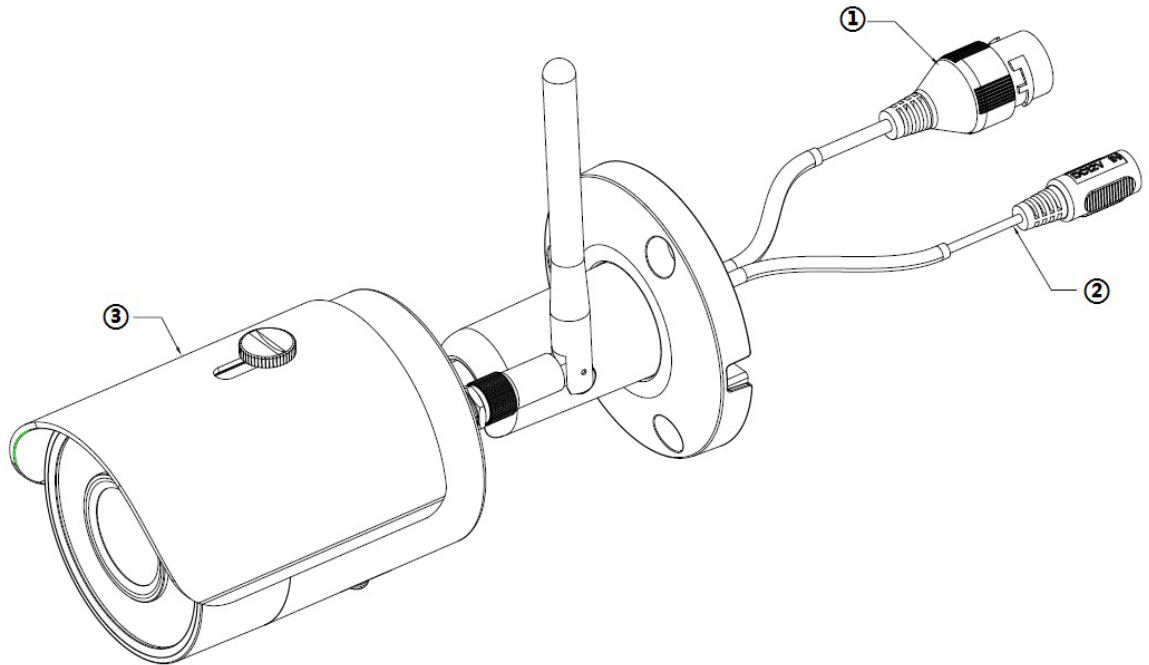


Screw Package × 1



Waterproof Connector × 1

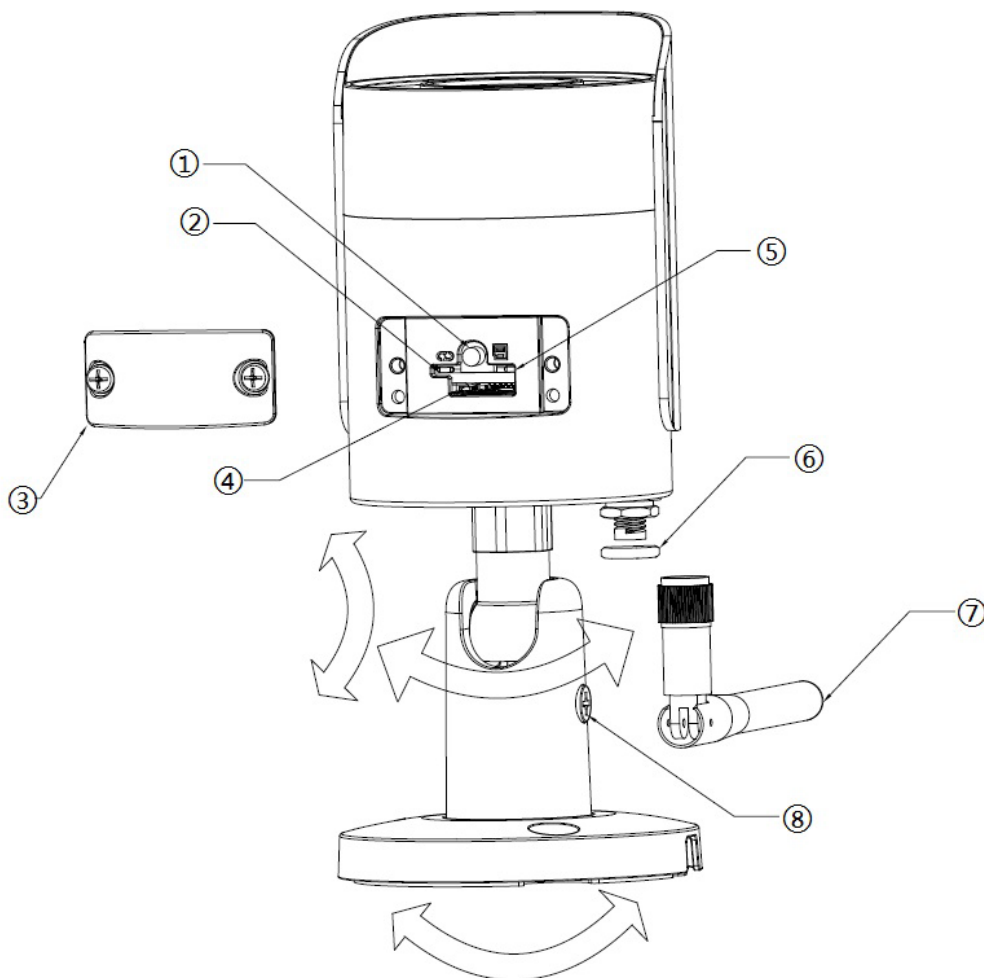
2 Product Appearance



Please refer to the following table for more details about each port.

SN	Name
①	Ethernet port
②	Power port
③	Unit device

Table 2-1



Please refer to the following table for more details about each component.

SN	Name
①	Reset/ WPS (Wi-Fi Protected Setup) button
②	Indicator light 1
③	Lower cover
④	Micro SD card slot
⑤	Indicator light 2
⑥	Waterproof ring
⑦	Wi-Fi antenna
⑧	Locking screw

Table 2-2

Note

For reset, long press for 8 seconds and then the light off; For WPS (Wi-Fi Protected Setup), one quick press.



Please refer to the following table for more details about status of indicator light.

Indicator light status	Device status
Red light stably on	Booting
Green light slow flashing	Booting completed, await Wi-Fi config, enter smart config status;
Green light quick flashing	Wi-Fi smart config in progress, including WPS (Wi-Fi Protected Setup), management frame, etc.
Green light stably on	Wi-Fi connection succeeded, operate normally.
Red and green lights flash alternately	Device upgrade
Red light slow flashing	Network disconnection.
Red light quick flashing	Device fail to boot up; alarm or SD card does not work

Table 2-3

3 Operation by DMSS App

Note:

This camera only support 2.4G frequency range, please choose correct frequency range on your Wi-Fi router.

- Step 1 Power on your camera with power adapter.
- Step 2 Connect your smartphone to your Wi-Fi network, search “**iDMSS**” on Apple Store or “**gDMSS**” on Google Play, download and install the application.
- Step 3 Open APP (take iOS version as an example), see Figure 3-1.
- Step 4 Tap “**CAMERA**” icon after you login your account. Then tap “**+**” to add new devices. See Figure 3-2.

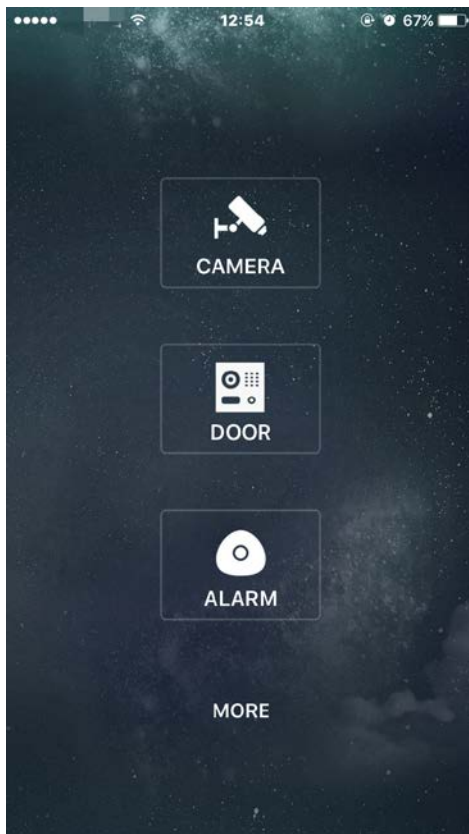


Figure 3-1

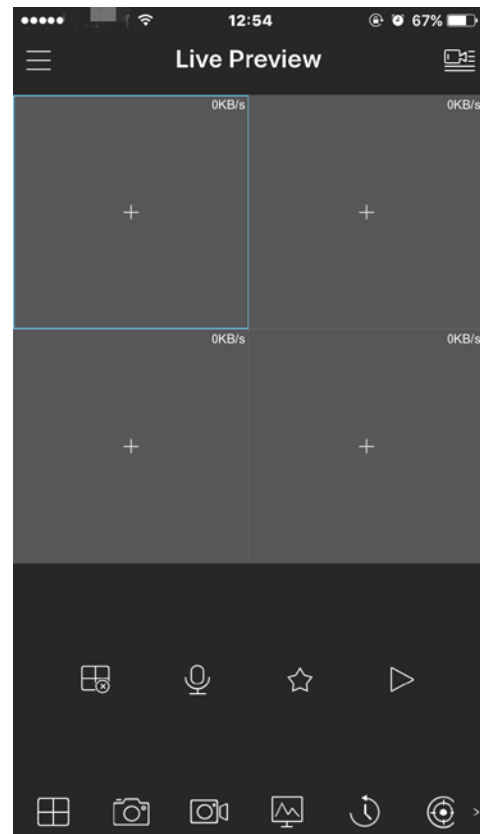


Figure 3-2

Note:

- When using a Dahua device for the first time, user is required to set a login password for the admin account (system default user). The function is Device initialization on APP.
 - If you have initialized your device on other platform, choose other connection type to add the camera.
 - WiFi config for initialized WiFi Device refer to the Step 6 and Step 7.
- Step 5 Tap **“Device Initialization”** at the bottom of the screen. Choose your device’s connection type. We only take **“WiFi Connection”** as an example.

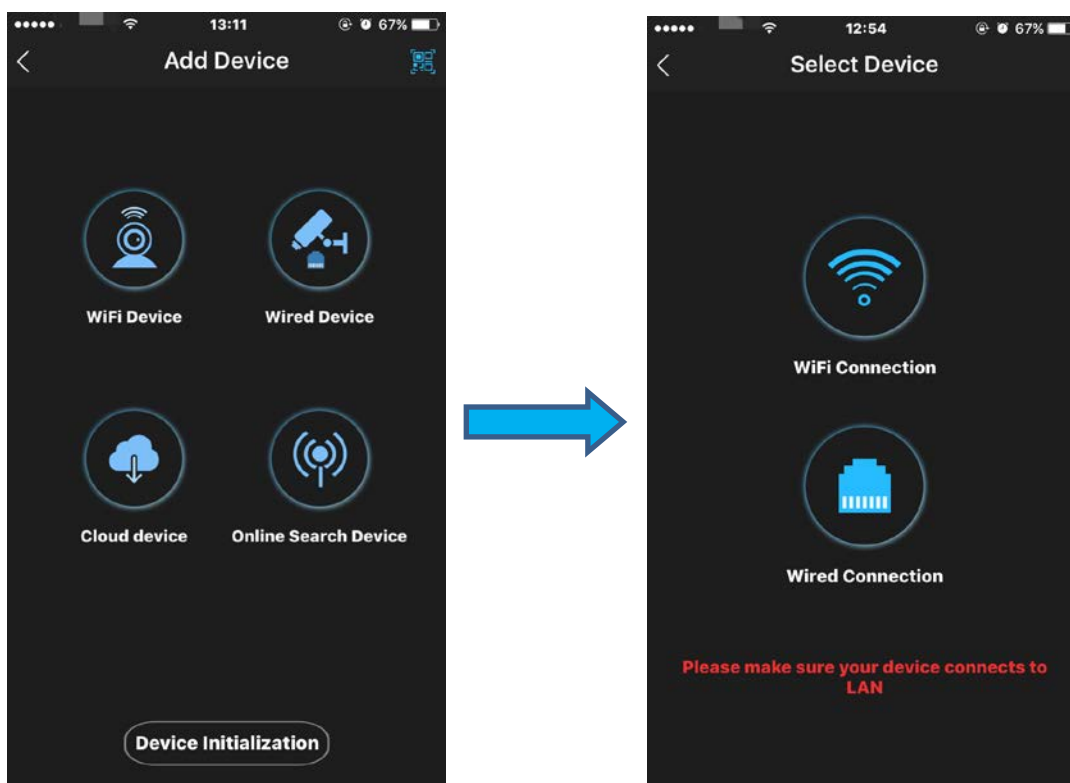


Figure 3-3

Step 6 Scan the QR code on the back of the camera to get the SN, you can also tap **"Manually enter the SN"** and manually input the SN number on the next page. Then tap **"Next"**.

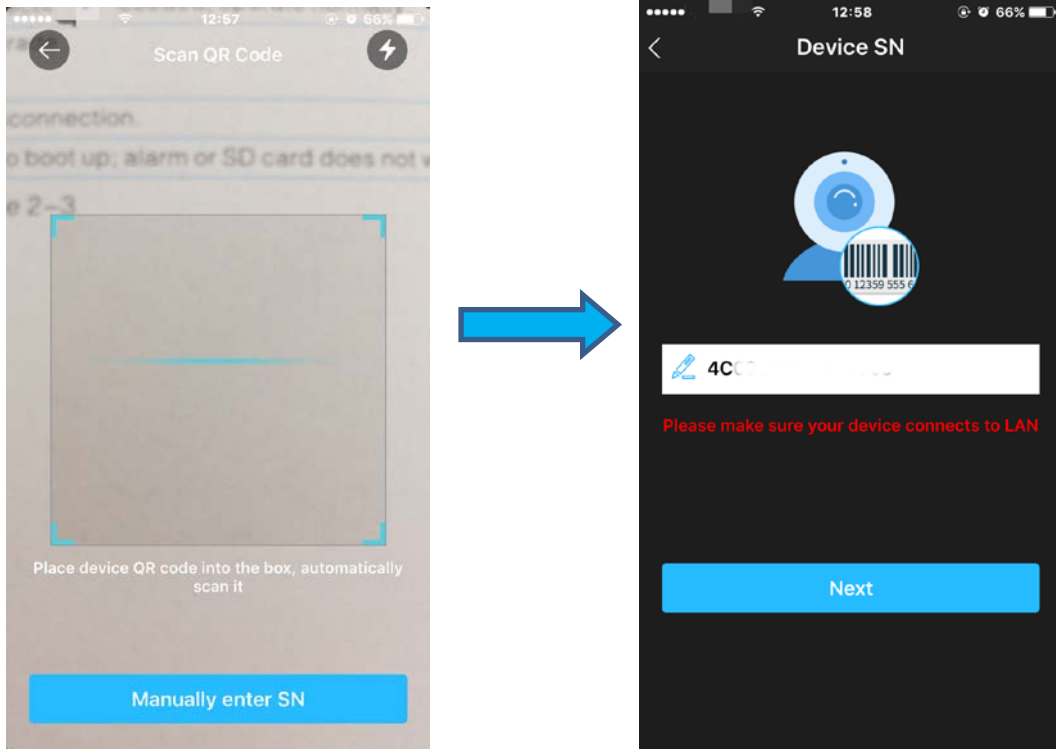


Figure 3-4

Step 7 Make sure your smartphone is connected to the same Wi-Fi. Fill in the password of your Wi-Fi, then tap **"Next"**.

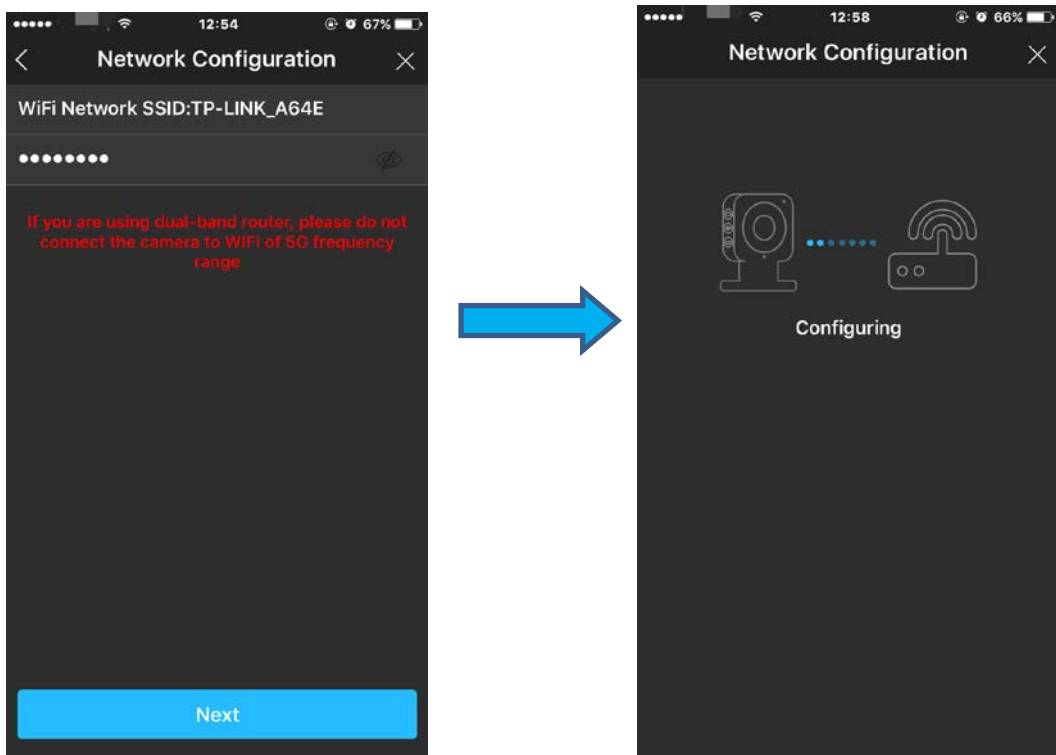


Figure 3-5

Step 8 Set up an account password and security email address that use for reset password for your camera, then tap "OK". Check cloud update config, then tap "OK".

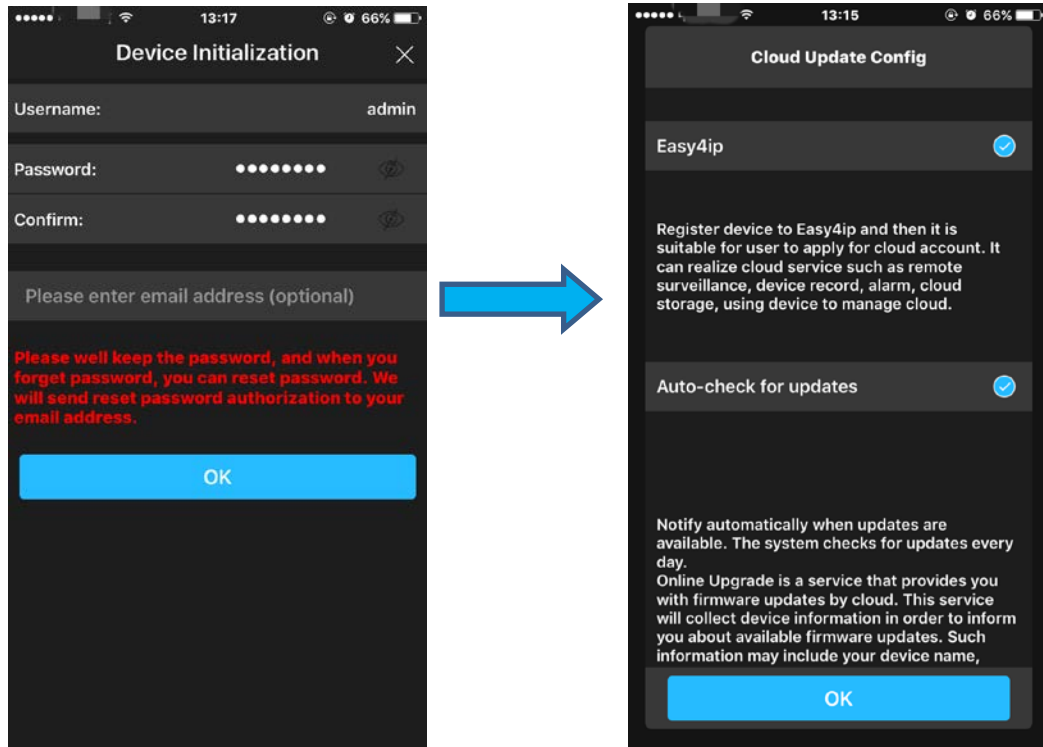


Figure 3-6

Now, you camera have completed the initialization and connected to WiFi Router. Next step is add the initialized device to **DMSS**.

Step 9 Back to “Add Device” page, tap the second option to **Add Device**.

Step 10 Input device name and password, your camera is successfully added. You can start live preview now.

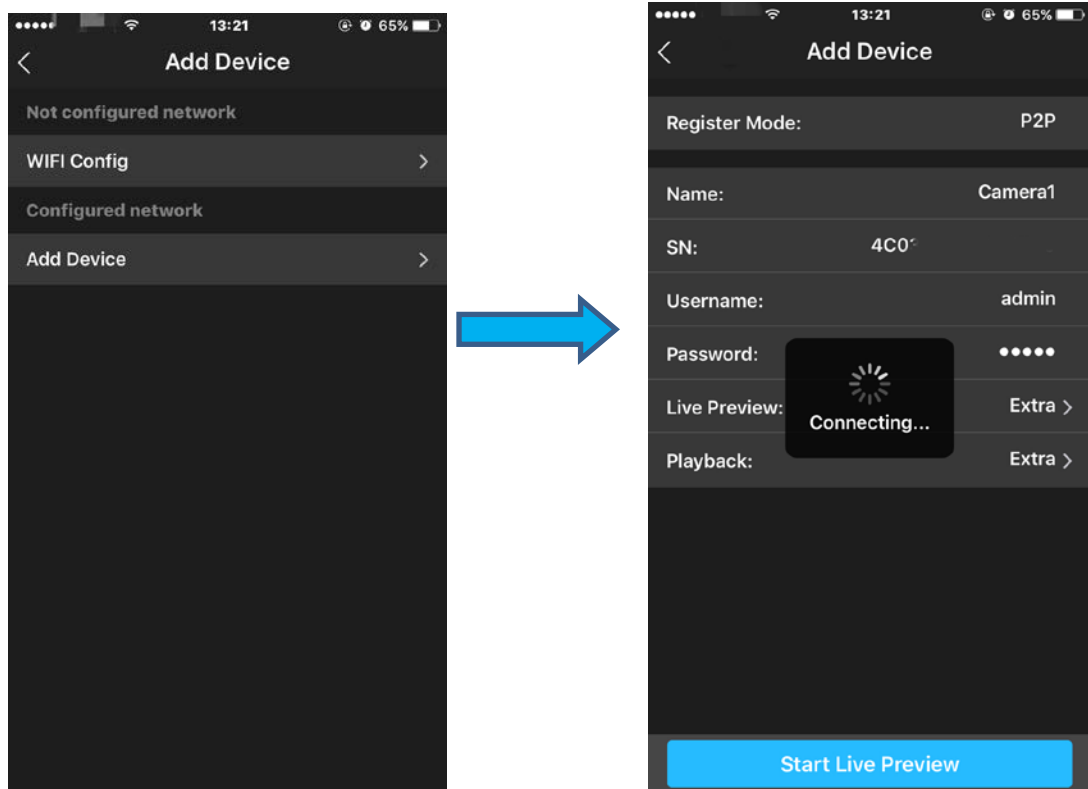


Figure 3-7

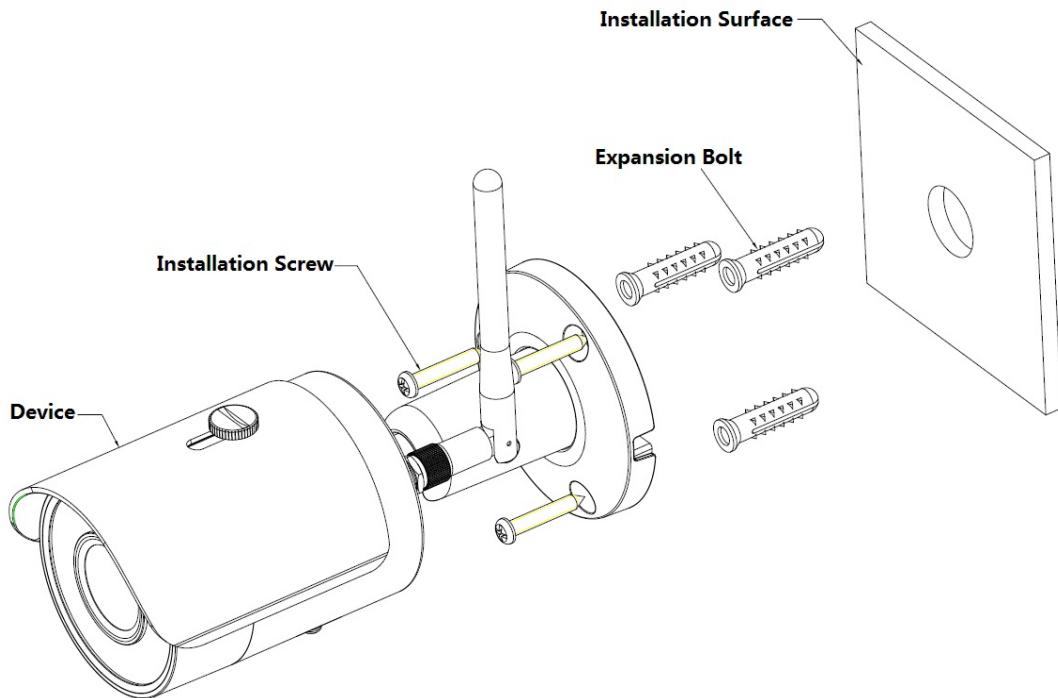
Note

- If you have more cameras, please follow step 4-10 to add them one by one.
- If you want to change the Wi-Fi signal, please reset the camera to factory default and repeat step 4-10 to add the device

4 Device Installation

Note

Please make sure the installation surface can min support the 3X weight of the camera and the bracket.

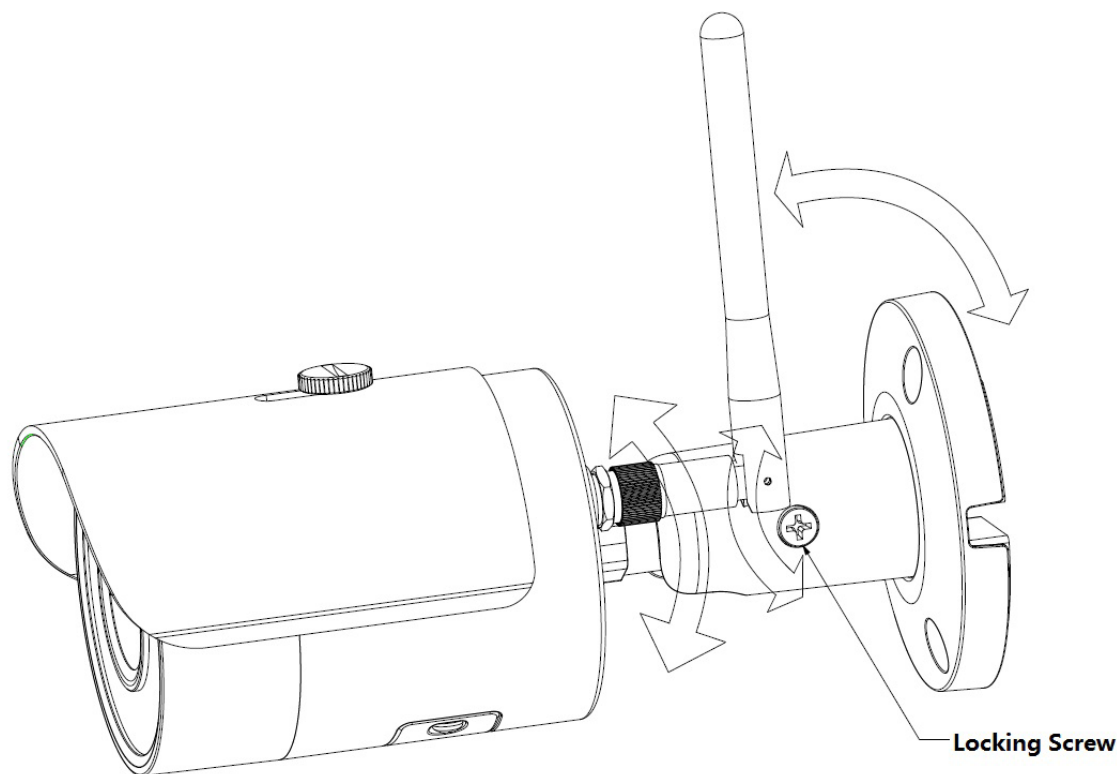


Step 1 Dig holes on the installation surface (wall or ceiling).

Step 2 Open accessories bag, take out expansion bolt and insert it into the hole you just dug.

Step 3 Open accessories bag, take out installation screws. Tighten the screws to fix the device on the installation surface (wall or ceiling). You can move device sunshade back and forth. When you have fixed the device, you must tighten screws on sunshade.

Step 4 Plug external wiring of the device properly.



Step 5 Use cross screwdriver (in accessories bag) to loosen adjusting screw.

Step 6 Adjust the device in all possible directions, and set its monitoring direction according to the requirements.

Step 7 Use cross screwdriver to tighten the adjusting screws.

Disclaimer

- This quick start guide is for reference only. Minor difference might be found in user interface.
- All the designs and software here are subject to change without prior written notice.
- All trademarks and registered trademarks mentioned are the properties of their respective owners.
- Please visit our website or contact your local service engineer for more information.
- If there is any uncertainty or controversy, please refer to our final explanation.

ZHEJIANG DAHUA VISION TECHNOLOGY CO., LTD.

Address: No.1199, Bin'an Road, Binjiang District, Hangzhou, P.R. China

Postcode: 310053

Tel: +86-571-87688883

Fax: +86-571-87688815

Email:overseas@dahuatech.com

Website: www.dahuaconsumer.com