

2 MP PTZ Network Camera

2MP 12x PTZ Network Camera



- 1/2.7-in. 2 MP CMOS Sensor
- Powerful 12x Optical Zoom
- Triple-stream Encoding
- Maximum 1080p at 30 fps, 720p at 30/60 fps
- Intelligent Video System (IVS)
- Supports PoE+
- IK10 Vandal Resistance
- Five-year Warranty



System Overview

Featuring a powerful optical zoom and accurate pan/tilt/zoom performance, the SD42C series PTZ camera can provide large monitoring range and great detail. The camera delivers 1080P resolution at 30 fps, with 12x optical zoom. SD42C series PTZ is equipped with quick and smooth control, high quality image and good protection, which make it can meet most of the requirements of video surveillance applications.

Functions

Smart H.264+

Delivering high quality video without straining the network, Smart H.264+ is the optimized implementation of H.264. The Smart H.264+ encoding platform includes a scene adaptive encoding strategy, dynamic GOP, dynamic ROI, flexible multi-frame reference structure and intelligent noise reduction, providing a savings of up to 70% of bandwidth and storage when compared with standard H.264.

Wide Dynamic Range

Embedded with industry leading wide dynamic range (WDR) technology, vivid pictures are achieved even in the most intense contrast lighting conditions. For applications with both bright and low lighting conditions that change quickly, true WDR (120 dB) optimizes both the bright and dark areas of a scene at the same time to provide usable video.

Environmental

With a temperature range of -30 °C to +60 °C (-22 °F to +140°F), the camera is designed for extreme temperature environments. The camera complies with the IK10 Vandal Resistance impact rating making it capable of withstanding the equivalent of 5 kg (11.02 lbs) of force dropped from a height of 40 cm (15.75 in.).

Protection

This camera suits even the harsh conditions for outdoor applications. Its 2KV lightning rating provides protection against the camera and its structure from the effects of lightning.

Interoperability

The camera conforms to the ONVIF (Open Network Video Interface Forum) and PSIA (Physical Security Interoperability Alliance) specifications, ensuring interoperability between network video products regardless of manufacturer.

Technical Specification

Camera

Image Sensor	1/2.7-in. CMOS
Effective Pixels	1920(H) x 1080(V), 2 MP
RAM/ROM	256 MB / 128 MB
Scanning System	Progressive
Minimum Illumination	Color: 0.05 Lux at F1.6; B/W: 0.005 Lux at F1.6
S/N Ratio	More than 55 dB

Lens

Focal Length	5.1 mm to 61.2 mm
Max. Aperture	F1.6 to F3.0
Angle of View	H: 59.3° to 5.2°
Optical Zoom	12x
Focus Control	Auto, Manual
Close Focus Distance	100 mm to 1000 mm

PTZ

Pan/Tilt Range	Pan: 0° to 360° endless; Tilt: -2° to 90°, auto flip 180°
Manual Control Speed	Pan: 0.1° to 300° /s; Tilt: 0.1° to 120° /s
Preset Speed	Pan: 300° /s; Tilt: 200° /s
Presets	300
PTZ Mode	5 Pattern, 8 Tour, Auto Pan, Auto Scan
Speed Setup	Human-oriented focal Length, speed adaptation
Power up Action	Auto restore to previous PTZ and lens status after power failure
Idle Motion	Activate Preset, Scan, Tour, Pattern if there is no command in the specified period
Protocol	DH-SD

Video

Compression	Smart H.264+, H.264, MJPEG	
Streaming Capability	3 Streams	
Resolution	1080p (1920 × 1080), 720p (1280 × 720), D1 (704 × 480), CIF (352 × 240)	
Frame Rate	Main Stream	1080p/D1 at 30 fps, 720p at 60 fps
	Sub Stream 1	D1/CIF at at 30fps
	Sub Stream 2	720P/D1/CIF at 30 fps

Bit Rate Control	CBR, VBR
Bit Rate	Smart H.264+, H.264: 448 K to 8192 Kbps, MJPEG: 5120 K to 10240 Kbps
Day/Night	Auto (ICR), Color, B/W
Backlight Compensation	BLC, HLC, WDR (120 dB)
White Balance	Auto, ATW, Indoor, Outdoor, Manual
Gain Control	Auto, Manual
Noise Reduction	Ultra DNR (2D/3D)
Motion Detection	Support
Region of Interest	Support
Defog	Support
Digital Zoom	16x
Flip	180°
Privacy Masking	Up to 24 areas

Audio

Compression	G.711a, G.711mu, PCM
-------------	----------------------

Network

Ethernet	RJ-45 (10/100Base-T)
Protocol	IPv4/IPv6, HTTP, HTTPS, SSL, TCP/IP, UDP, UPnP, ICMP, IGMP, SNMP, RTSP, RTP, SMTP, NTP, DHCP, DNS, PPPoE, DDNS, FTP, IP Filter, QoS, Bonjour, 802.1x1x
Interoperability	ONVIF, PSIA, CGI
Streaming Method	Unicast / Multicast
Max. User Access	20 users
Edge Storage	NAS (Network Attached Storage), Local PC for instant recording, 128GB
Web Viewer	IE 10, Firefox, Safari
Management Software	Smart PSS, DSS
Mobile Operating System	IOS, Android, Windows Phone

Certifications

Certifications	CE: EN55032/EN55024/EN50130-4 FCC: Part15 subpartB, ANSI C63.4- 2014 UL: UL60950-1+CAN/CSA C22.2, No.60950-1
----------------	--

Interface

Audio Interface	Input: One (1) Channel Output: One (1) Channel
Alarm	Input: Two (2) Channel Output: One (1) Channel

Electrical

Power Supply	24 VAC, 1.5 A (±10%), PoE+ (802.3at)
Power Consumption	12 W

Environmental

Operating Conditions	-30°C to 60°C (-22°F to +140°F), Less than 90% RH
Vandal Resistance	IK10

Construction

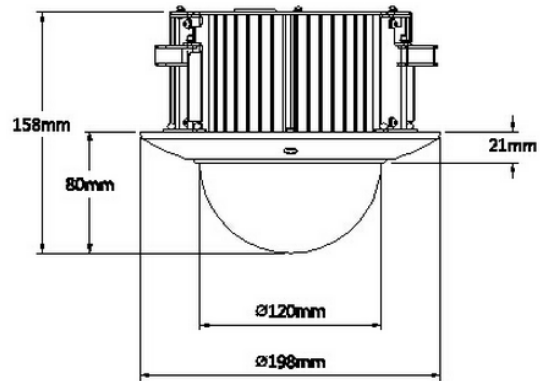
Casing	Metal
Dimensions	ø198.0 mm × 158.0 mm (ø7.80 in. x 6.22 in.)
Net Weight	2.30 kg (5.07 lb)
Gross Weight	3.30 kg (7.28 lb)

Intelligence

IVS triggers an alarm and takes a defined action for the following events:

Standard Features	<ul style="list-style-type: none"> • Tampering with the camera. • Error writing to an onboard Micro SD card. • Error sending or receiving data over the network. • Unauthorized access to the camera.
Premium Features	
Motion	An object moves through any part of the scene.
Tripwire	A target crosses a user-defined line.
Intrusion	A target enters or exits a defined perimeter.
Abandoned/Missing Object	A target leaves an object in designated area, or a target removes an object from the same designated area.
Advanced Features	
Facial Detection	Detects and captures a snapshot of a human face in a defined area within a scene.

Dimensions (mm)



Ordering Information

Type	Part Number	Description
2 MP PTZ Camera	DH-SD42CA212TN-HNI	2 MP 12x PTZ Network Camera, WDR, IVS
Accessory, included	AC24V/1.5A	Power Supply

Accessories

Included:



AC24V/1.5A
Power Supply