

# 4K Vandal-proof Fisheye

## 12MP 360° Fisheye Network Camera



- Max 15 fps at 12 MP (4000 x 3000) and 30 fps 3 MP (2048 x 1536)
- True Day/Night
- Smart IR 10 m (33 ft)
- 2/1 Alarm in/out, 1/1 Audio in/out, Built in Mic
- Outdoor Rated IP67
- Vandal Resistant IK10
- Intelligent Video System (IVS)
- Onboard Storage
- Five-year Warranty



### System Overview

The Megapixel Fisheye camera delivers 12MP resolution. The camera's elegant blend of aesthetics combined with a range of easy mounting solutions provides an excellent choice for a variety of small to mid-size applications.

### Functions

#### Panorama

Dahua's Fisheye cameras allow for a 360-degree hemispherical image that can be dewarped in order to view individual elements separately. In environments that require broad coverage, panoramic cameras can do the job alone where several cameras would be needed otherwise. With a high resolution sensor providing a 360-degree view, blind spots are eliminated. Easy to install on a ceiling or wall, these cameras are well-suited for office buildings, parking garages, gas stations, and retail environments.

#### True Day/Night

A day/night mechanical IR cut filter makes this camera ideal for applications with fluctuating lighting conditions, delivering color images during the day and automatically switching to monochrome as the scene darkens.

#### Smart IR

The camera's Smart IR technology adjusts to the intensity of camera's infrared LEDs to compensate for the distance of an object. Smart IR prevents IR LEDs from whiting out images as they come closer to the camera. The camera's integrated IR illumination provides high performance in extreme low-light environments up to 10m (33ft).

#### Regions of Interest

Regions of Interest (ROI) is a user defined feature that allows the operator to monitor specific areas of a scene while still maintaining overall situational awareness of less important areas.

### Intelligent Video System (IVS)

With built-in intelligent video analytics, the camera has the ability to detect and analyze moving objects for improved video surveillance. IVS also supports Tripwire analytics, allowing the camera to detect when a pre-determined line has been crossed and Heat map, exporting the daily or hours report that shows the hottest area.

### Protection

The camera's outstanding reliability is unsurpassed due to its rugged design. The camera is protected against water and dust to IP67 standards, making it suitable for indoor or outdoor environments. With its IK10 rated impact resistant design, the camera provides maximum durability against vandals making it capable of withstanding the equivalent of 55 kg (120lbs) of force.

Supporting  $\pm 25\%$  input voltage tolerance, this camera suits even the most unstable conditions for outdoor applications. Its 8KV lightning rating provides protection against the camera and its structure from the effects of lightning.

### Streaming

With a choice of unicast or multicast streaming, bandwidth-efficient viewing, recording and third-party video management can easily be achieved. Multiple streaming enables bandwidth-efficient viewing and recording. Depending on the resolution and frame rate selected on the first stream, the second and third stream provides a copy at a lower resolution.

## Technical Specification

### Camera

Image Sensor	1/2.3" CMOS
Effective Pixels	4000 (H) x 3000 (V)
ROM / RAM	128MB / 1GB
Scanning System	Progressive
Electronic Shutter Speed	1/3 (4) ~ 1/100,000s
Minimum Illumination	Color: 0.01Lux@F2.2; 0Lux/F2.2 (IR on)
S/N Ratio	More than 50dB
IR Distance	10m (33ft)
IR On/Off Control	Auto / Manual
IR LEDs	3

### Lens

Lens Type	Fixed
Mount Type	Board-in
Focal Length	1.57mm
Max Aperture	F2.0
Angle of View	185°/185°/185°
Focus Control	Fixed

### Alarm and Audio

Alarm In/Out	2/1
Audio In/Out	1/1 Channel In/Out (Built in Mic)

### Video

Compression	H.264 / MJPEG
Streaming Capability	2 Streams
Resolution	12MP (4000×3000)/8MP (2880×2880)/ 6MP (2880×2160) /3MP (2048×1536)
	Main Stream 12MP (1~15fps) / 3MP (1 ~ 30fps)
	Sub Stream 1 D1/CIF (1 ~ 30fps)
Bit Rate Control	CBR / VBR
Bit Rate	H.264: 40K ~ 8192Kbps
De-wrap Mode	Original, Panoramic, Double Panoramic, 1+3, Eptz, 4 pictures
Day/Night	Auto (ICR) / Color / B/W
BLC Mode	BLC / HLC / DWDR
White Balance	Auto / Manual
Gain Control	Auto / Manual
Noise Reduction	3D DNR
Motion Detection	Off / On (4 Zone, Rectangle)
Region of Interest	Off / On (4 Zone)
Smart IR	N/A
Privacy Masking	Off / On (4 Area, Rectangle)

### Network

Ethernet	RJ-45 (10/100Base-T)
Protocol	IPv4/ IPv6, HTTP, HTTPS, SSL, TCP/IP, UDP, UPnP, ICMP, IGMP, SNMP, RTSP, RTP, SMTP, NTP, DHCP, DNS, PPPOE, DDNS, FTP, IP Filter, QoS, Bonjour, 802.1x
Interoperability	ONVIF, PSIA, CGI
Streaming Method	Unicast / Multicast
Max. User Access	20
Edge Storage	NAS (Network Attached Storage), Local PC for instant recording, Micro SD 64GB
Web Viewer	IE 10, Firefox, Safari
Management Software	Smart PSS, DSS
Mobile Operating System	Android, IOS

## Certifications

<b>Certifications</b>	FCC (SEFD1412194-A) UL (E234884-A51-UL)
-----------------------	--

## Electrical

<b>Power Supply</b>	12V DC $\pm$ 25%, PoE (af Class 0)
<b>Power Consumption</b>	Max. 13W (12V DC, IR On)

## Environmental

<b>Operating Conditions</b>	-30°C ~ +60°C (-22°F ~ +140°F) / Less than 90% RH
<b>Storage Conditions</b>	-30°C ~ +60°C (-22°F ~ +140°F) / Less than 90% RH
<b>Vandal Resistance</b>	IK10

## Construction

<b>Casing</b>	Metal
<b>Dimensions</b>	$\Phi$ 150.0 mm $\times$ 50.70 mm (5.91" $\times$ 2.76" $\times$ 2.00")
<b>Net Weight</b>	0.58 kg (1.28 lb)
<b>Gross Weight</b>	0.86 kg (1.90 lb)

## Intelligence

IVS triggers an alarm and takes a defined action for the following events:

<b>Standard Features</b>	Tampering with the camera. Error writing to an onboard Micro SD card. Error sending or receiving data over the network. Unauthorized access to the camera.
<b>Premium Features</b>	
<b>Motion</b>	An object moves through any part of the scene.
<b>Tripwire</b>	A target crosses a user-defined line.
<b>Intrusion</b>	A target enters or exits a defined perimeter.
<b>Scene Change</b>	A person or object moves the camera to change the scene or covers the camera to obscure the scene.
<b>Abandoned/Missing Object</b>	A target leaves an object in designated area, or a target removes an object from the same designated area.
<b>Advanced Features</b>	
<b>Heat Map</b>	Generates a visual representation of data.

## Accessories

Optional:



PFA132  
Junction box



PFA100  
Wall mount



PFB302S  
Wall mount



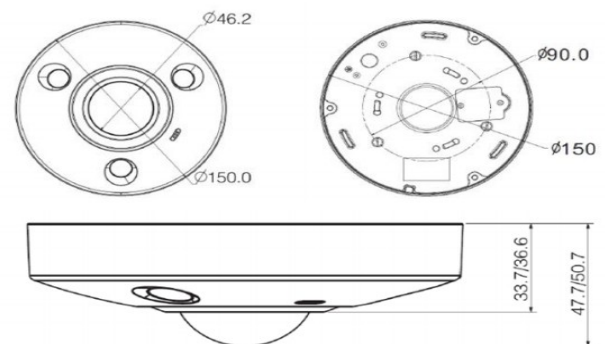
PFA152  
Pole mount



PFB300C  
Ceiling mount

Junction Mount	Pole Mount
<b>PFA132</b>	<b>PFA100+PFB302S+PFB152</b>
Wall Mount	
<b>PFA100+PFB302S</b>	<b>Ceiling Mount</b>
	<b>PFA100+PFB300C</b>

## Dimensions (mm/inch)



## Ordering Information

Type	Part Number	Description
12 MP Camera	DH-IPC-EBW812A0N	12MP, 1.57mm, DWDR, IK10, PoE, IVS
Accessories	PFA100	Wall Mount
	PFA132	Junction Box
	PFA152	Pole Mount Bracket (for use with PFA123)
	PFB300C	Ceiling mount (For use with PFA100 wall mount)
	PFB302S	Wall Mount (For use with PFA100 wall mount)